

Phoenix Display International, Inc.

PRODUCT PREVIEW

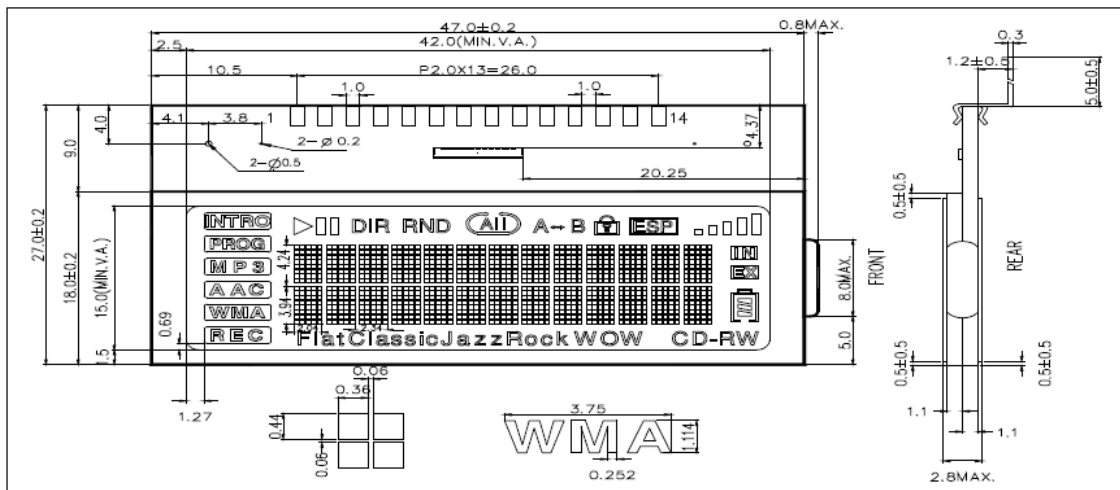
13 Character x 2 Line with icons

SPECIFICATIONS

MODULE

Part Number	C-130201G-VA
Format	13 Characters x 2 Line with icons
Controller	APU0071
Overall Dimensions	47.0mm x 32.0mm x 2.8mm
Active Area	42.0mm x 15.0mm
Character Size	2.0mm x 3.9mm
Pixel Size	360um x 440um
Backlight System	None
Driver Attach	Chip on Glass (COG)
Display Type	TN, STN, or FSTN
Duty	1/8
Bias	1/4

1.0 DIMENSIONAL DRAWING

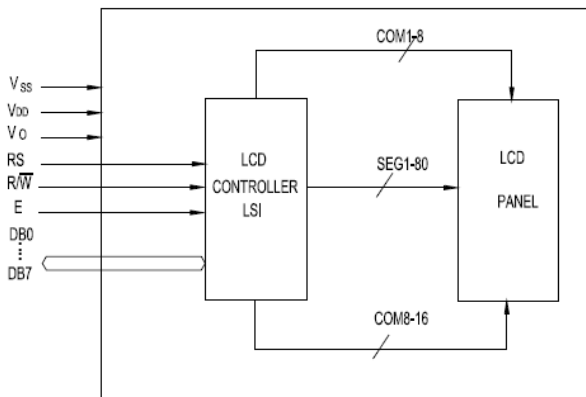


Phoenix Display International, Inc.

PRODUCT PREVIEW

13 Character x 2 Line with icons

2.0 BLOCK DIAGRAM



3.0 PIN ASSIGNMENT

Pin no.	Symbol	Function
1	V_{SS}	Power supply (GND)
2	V_O	Contrast adjust
3	V_{DD}	Power supply(+)
4	RS	Register select signal
5	R/\overline{W}	Data read / write
6	E	Enable signal
7 14	DB0 DB7	Data bus line

4.0 ELECTRICAL CHARACTERISTICS $T_a=25^\circ\text{C}$ $V_{DD}=3.0V\pm 0.25V$

Item	Symbol	Test Condition	Standard Value				
			Min.	Typ.	Max.	Unit	
Power Supply Voltage	$V_{DD}-V_{SS}$	25°C	2.75	3.0	3.25	V	
LCD Operation Voltage	V_{OP}	25°C	TN	-	-	-	V
			STN	-	4	-	V
LCM Current Consumption	I_{DD}	25°C	-	1	2	mA	
Backlight Forward Voltage	V_F		-	-	-	V	

5.0 ABSOLUTE MAXIMUM RATINGS

Item	Symbol	Test Condition	Standard Value		
			Min.	Max.	Unit
Supply Voltage (Logic)	$V_{DD}-V_{SS}$	25°C	-0.3	5	V
Supply Voltage (LCD)	$V_{DD}-V_O$		-0.3	7	V
Input Voltage	V_{IN}		-0.3	$V_{DD}+0.3$	V
Operating Temp.	T_{OPR}	-	-20	70	$^\circ\text{C}$
Storage Temp.	T_{STG}	-	-30	80	$^\circ\text{C}$

