

Phoenix Display International, Inc.

PRODUCT PREVIEW

16 Character x 2 Line

SPECIFICATIONS

MODULE

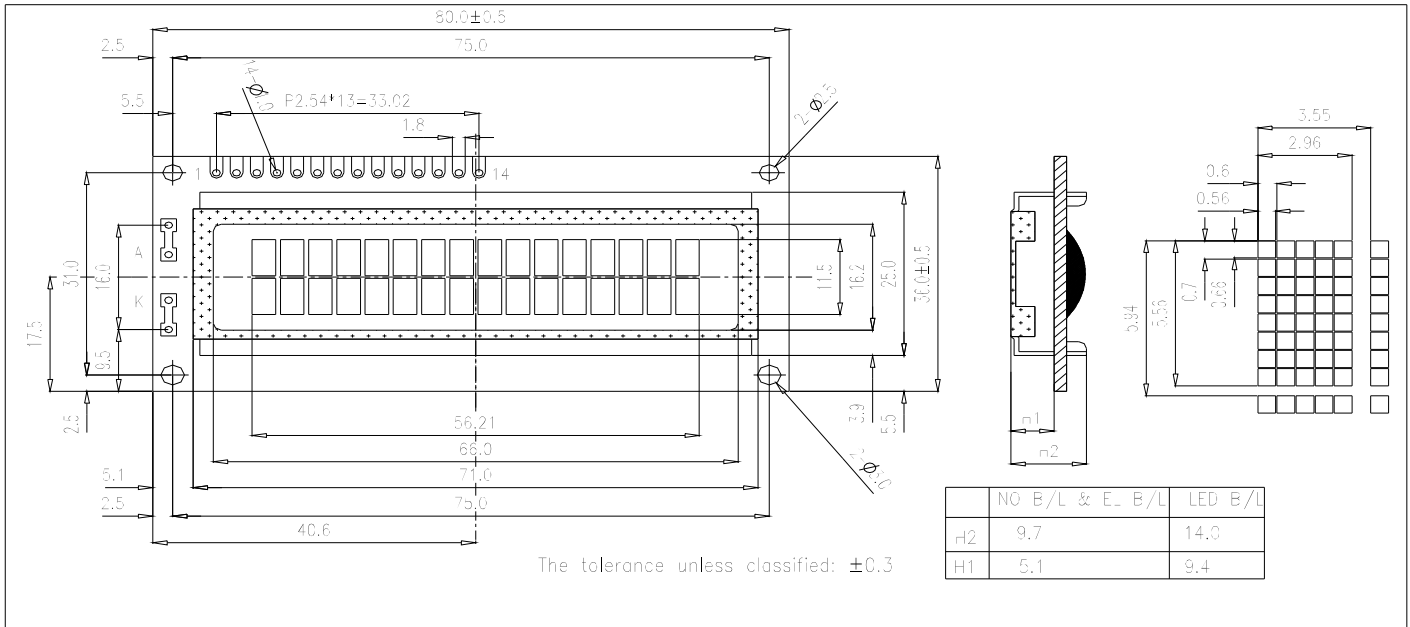
Part Number	C-160222C-VA
Format	16 Characters x 2 Lines
Controller	KS0066
Overall Dimensions	80.0mm x 36.0mm x 9.4/14.0mm
Active Area	56.2mm x 11.5mm
Character Size	3.0mm x 5.7mm
Pixel Size	560um x 700um
Backlight System	None, EL or LED
Driver Attach	Chip on Board (COB)
Display Type	TN, STN, or FSTN
Duty	1/16
Bias	1/5



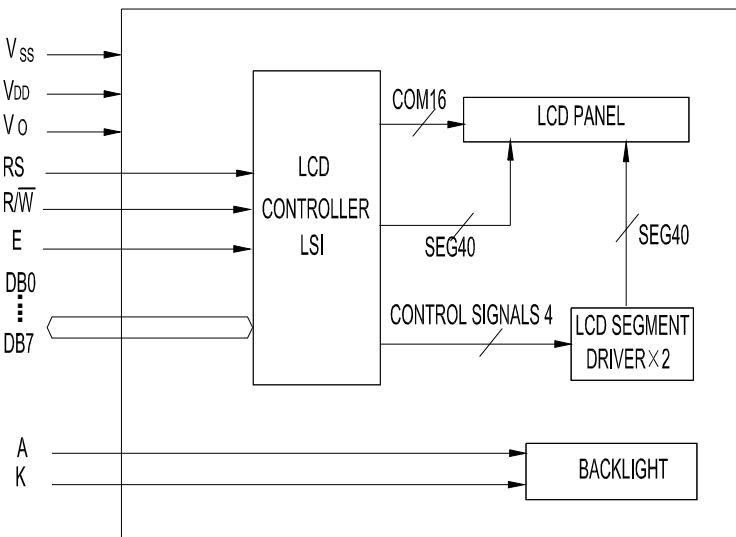
C-160222C-VA

1/16 DUTY,1/5 BIAS
16CHARACTERSx2LINE

1.0 DIMENSIONAL DRAWING



2.0 BLOCK DIAGRAM



3.0 PIN ASSIGNMENT

Pin no.	Symbol	Function
1	V _{SS}	Power supply (GND)
2	V _{DD}	Power supply(+)
3	V _O	Contrast adjust
4	R _s	Register select signal
5	R/W	Data read / write
6	E	Enable signal
7	DB0	Data bus line
⋮	⋮	
14	DB7	

4.0 ELECTRICAL CHARACTERISTICS Ta=25 °C V_{DD}=5.0V±0.25V

Item	Symbol	Test Condition	Standard Value			
			Min.	Typ.	Max.	Unit
Power Supply Voltage	V _{DD} -V _{SS}	25°C	4.75	5.0	5.25	V
LCD Operation Voltage	V _{OP}					
LCD LCM Current Consumption	I _{DD}	25°C	-	2.0	3.0	mA
Backlight Forward Voltage	V _F					

5.0 ABSOLUTE MAXIMUM RATINGS

Item	Symbol	Test Condition	Standard Value		
			Min.	Max.	Unit
Supply Voltage (Logic)	V _{DD} -V _{SS}	25°C	-0.3	7	V
Supply Voltage (LCD)	V _{DD} -V _O		V _{DD} -13.5	V _{DD} +0.3	V
Input Voltage	V _{IN}		-0.3	V _{DD} +0.3	V
Operating Temp.	T _{OPR}		0	50	°C
Storage Temp.	T _{STG}		-20	70	°C

Remark

- LCD option: TN,STN,FSTN.
- Standard module.
- Backlight option: LED,EL backlight feature, other specs not available on catalog is under request.