

Phoenix Display International, Inc.

PRODUCT PREVIEW

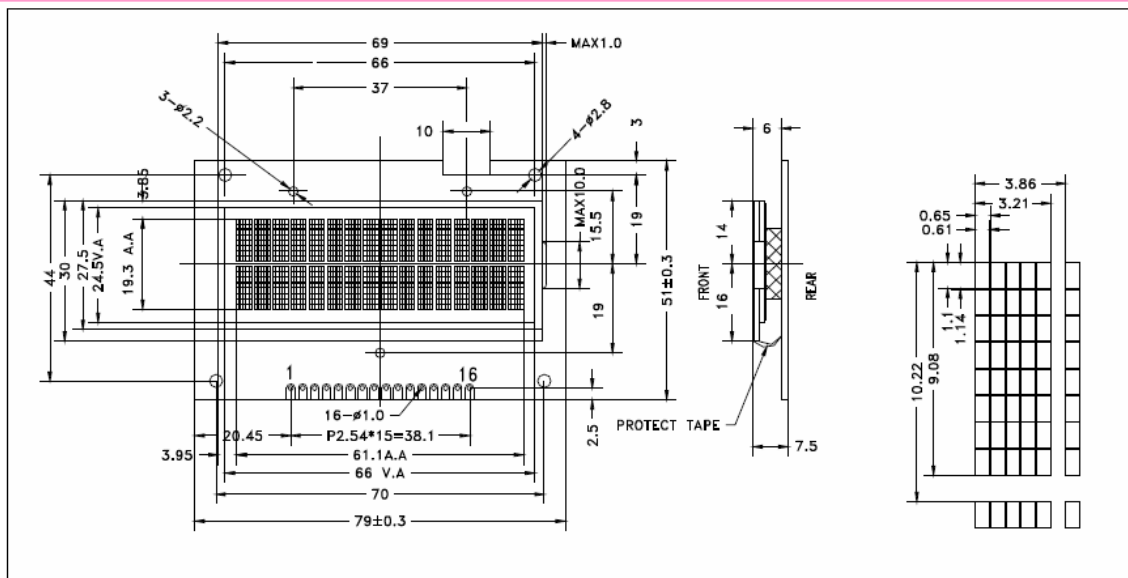
16 Character x 2 Line

SPECIFICATIONS

MODULE

Part Number	C-160228C-VA
Format	16 Characters x 2 Lines
Controller	S6A0069, S6A0065
Overall Dimensions	79.0mm x 51.0mm x 7.5mm
Active Area	66.0mm x 24.5mm
Character Size	1.1mm x 0.6mm
Pixel Size	610um x 1100um
Backlight System	None
Driver Attach	Chip on Board (COB)
Display Type	TN, STN, or FSTN
Duty	1/16
Bias	1/5

1.0 DIMENSIONAL DRAWING

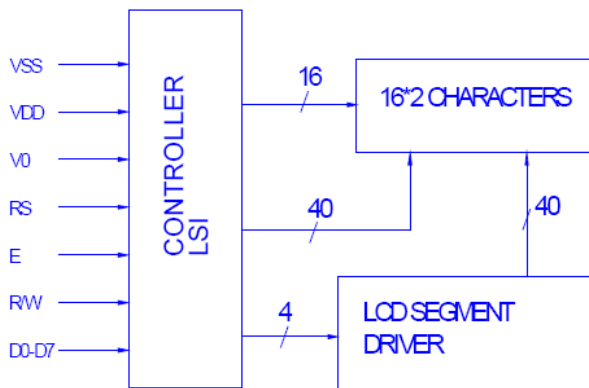


Phoenix Display International, Inc.

PRODUCT PREVIEW

16 Character x 2 Line

2.0 BLOCK DIAGRAM



3.0 PIN ASSIGNMENT

PIN NO.	Symbol	Description
1	VSS	Power supply (GND)
2	VDD	Power supply (+)
3	V0	Contrast adjust
4	RS	Register select signal
5	R/W	Data read / write
6	E	Enable signal
7	D0	Data bus line
~	~	
14	D7	
15	NC	Blank
16	NC	

4.0 ELECTRICAL CHARACTERISTICS (Ta=25 °C, VDD=5.0V±0.25V)

Unless otherwise specified, VSS = 0 V, VDD = 3.0 V ± 10%, Ta = -40 to 85°C

Item	Symbol	Test condition	Standard Value			
			Min.	Typ.	Max.	Unit
Power Supply Voltage	VDD	25°C	---	5.0	---	V
LCD Operation Voltage	Vop	25°C(STN)	---	5.0	---	V
LCM Curren Consumption	IDD	25°C	---	---	3.0	mA

5.0 ABSOLUTE MAXIMUM RATINGS

Item	Symbol	Test Condition	Standard Value		
			Min.	Max.	Unit
Supply Voltage (Logic)	VDD-VSS	25°C	-0.3	-	+7.0
Supply Voltage (LCD)	VDD-V0		VDD-15.0	-	VDD+0.3
Input Voltage	VIN		-0.3	-	VDD+0.3
Operating Temp.	T _{OPR}	-	0		+50
Storage Temp.	T _{STG}	-	-10		+60

