

Phoenix Display International, Inc.

PRODUCT PREVIEW

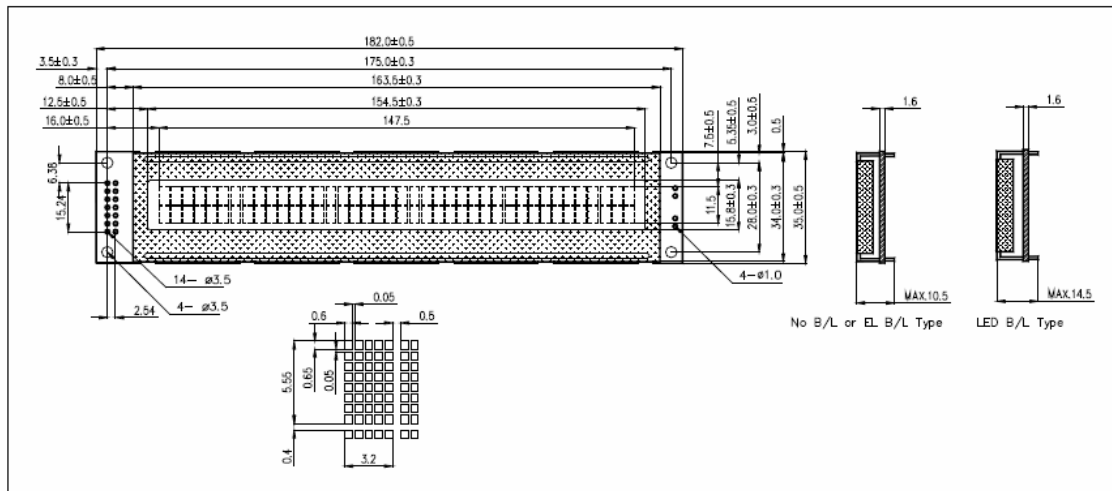
40 Character x 2 Line

SPECIFICATIONS

MODULE

Part Number	C-400201S/C-VA
Format	40 Characters x 2 Lines
Controller	KS0066
Overall Dimensions	182.0mm x 35.0mm x 10.5/14.5mm
Active Area	147.5mm x 11.5mm
Character Size	3.2mm x 5.6mm
Pixel Size	600um x 650um
Backlight System	None, EL or LED
Driver Attach	SMT/Chip on Board (COB)
Display Type	TN, STN, or FSTN
Duty	1/16
Bias	1/5

1.0 DIMENSIONAL DRAWING

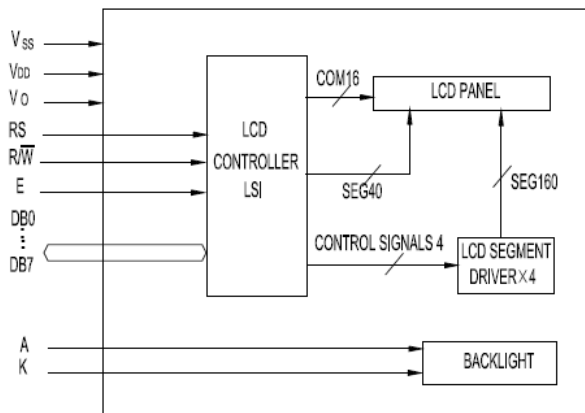


Phoenix Display International, Inc.

PRODUCT PREVIEW

40 Character x 2 Line

2.0 BLOCK DIAGRAM



3.0 PIN ASSIGNMENT

Pin no.	Symbol	Function
1	V _{SS}	Power supply (GND)
2	V _{DD}	Power supply(+)
3	V _O	Contrast adjust
4	RS	Register select signal
5	R / \bar{W}	Data read / write
6	E	Enable signal
7 14	DB0 DB7	Data bus line

4.0 ELECTRICAL CHARACTERISTICS Ta=25 °C V_{DD}=5.0V±0.25V

Item	Symbol	Test Condition	Standard Value			
			Min.	Typ.	Max.	Unit
Power Supply Voltage	V _{DD} -V _{SS}	25°C	4.75	5.0	5.25	V
LCD Operation Voltage	V _{OP}	25°C	-	4.5	-	V
LCM Current Consumption	I _{DD}	25°C	-	3.0	5.0	mA
Backlight Forward Voltage	V _F		-	4.2	4.6	V

5.0 ABSOLUTE MAXIMUM RATINGS

Item	Symbol	Test Condition	Standard Value		
			Min.	Max.	Unit
Supply Voltage (Logic)	V _{DD} -V _{SS}	25°C	-0.3	7	V
Supply Voltage (LCD)	V _{DD} -V _O		V _{DD} -13.5	V _{DD} +0.3	V
Input Voltage	V _{IN}		-0.3	V _{DD} +0.3	V
Operating Temp.	T _{OPR}	-	0	50	°C
Storage Temp.	T _{STG}	-	-20	70	°C

