

Phoenix Display International, Inc.

PRODUCT PREVIEW

101 x 33 Monochrome

TN/STN

Graphics
Liquid Crystal Display

SPECIFICATIONS

MODULE

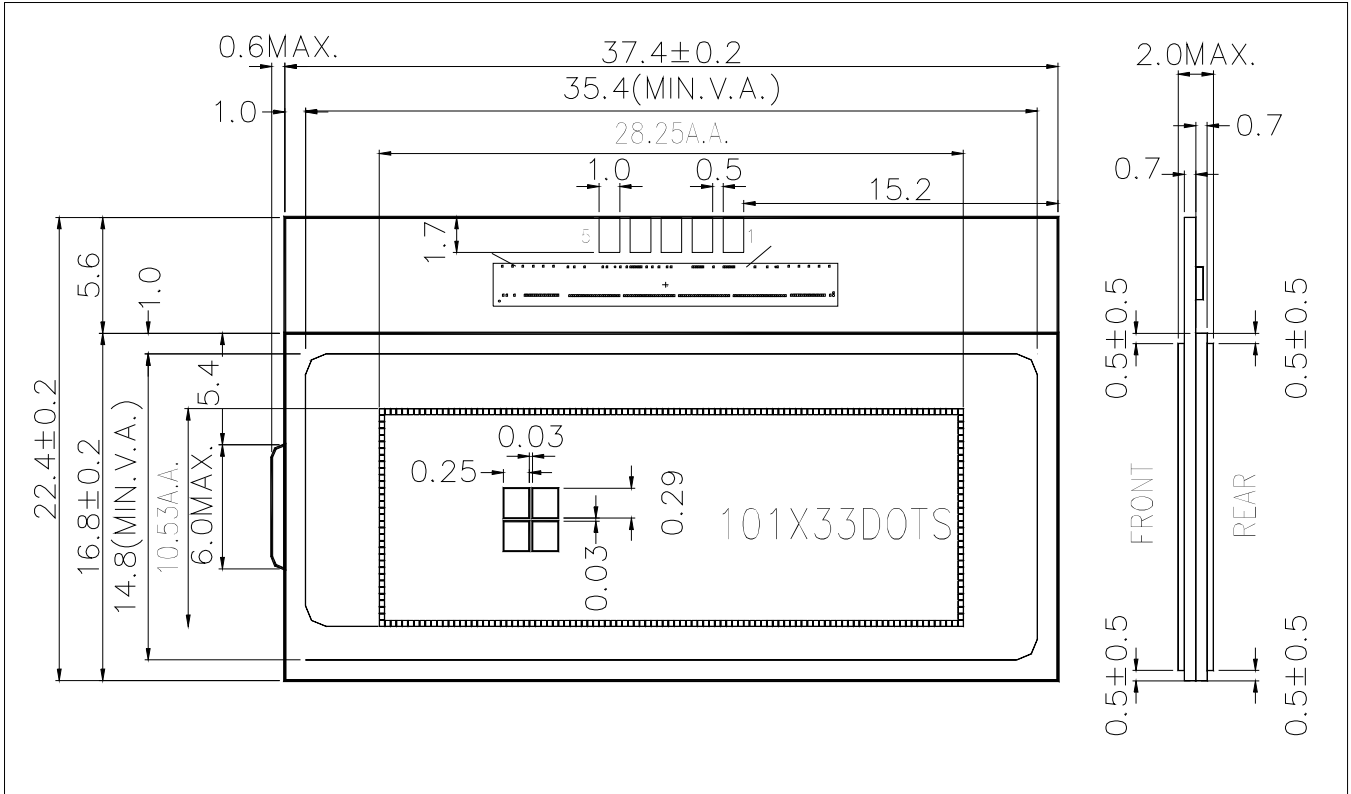
Part Number	G-1013302G-VA
Format	101 Columns by 33 Rows
Controller	OM4086-1
Overall Dimensions	37.4mm x 22.4mm x 2.0mm
Active Area	28.3mm x 10.5mm
Pixel Pitch	280um x 320um
Pixel Size	250um x 290um
Backlight System	None
Driver Attach	Chip on Glass (COG)
Display Type	FSTN
Duty	1/33
Bias	1/7



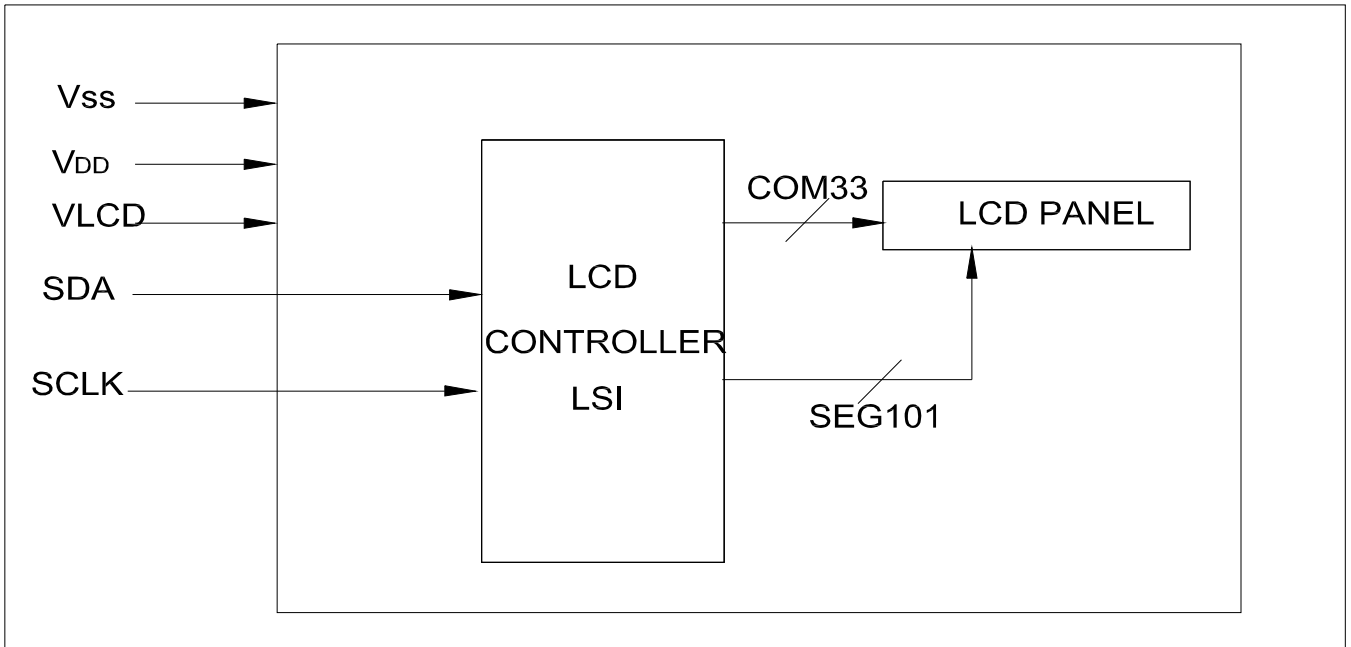
G-1013302G-VA

1/33 DUTY, 1/7 BIAS
101x33DOTS

1.0 DIMENSIONAL DRAWING



2.0 BLOCK DIAGRAM



3.0 ELECTRICAL CHARACTERISTICS Ta=25 °C V_{DD}=3.0V±0.25V

Item	Symbol	Test Condition	Standard Value			Unit
			Min.	Typ.	Max.	
Power Supply Voltage	V _{DD} -V _{SS}	25°C	2.75	3	3.25	V
LCD Operation Voltage	V _{OP}		-	6.04	-	V
LCM Current Consumption	I _{DD}		-	0.03	0.35	mA
Backlight Forward Voltage	V _F		-	-	-	V

4.0 ABSOLUTE MAXIMUM RATINGS

Item	Symbol	Test Condition	Standard Value		
			Min.	Max.	Unit
Supply Voltage (Logic)	$V_{DD}-V_{SS}$	25°C	-0.5	7	V
Supply Voltage (LCD)	$V_{DD}-V_O$		-0.3	10.0	V
Input Voltage	V_{IN}		-0.5	$V_{DD}+0.5$	V
Operating Temp.	T_{OPR}		-10	60	°C
Storage Temp.	T_{STG}		-20	70	°C

5.0PIN ASSIGNMENT

PIN No.	Symbol	Description
1	VLCD	Power supply for LCD
2	VDD	Power supply(+)
3	SDA	Serial input data
4	VSS	Power supply (GND)
5	SCLK	Serial input clock

Remark

1. LCD option: FSTN .
2. Customized module.