

PRODUCT PREVIEW

128 x 64 Monochrome

SPECIFICATIONS

MODULE

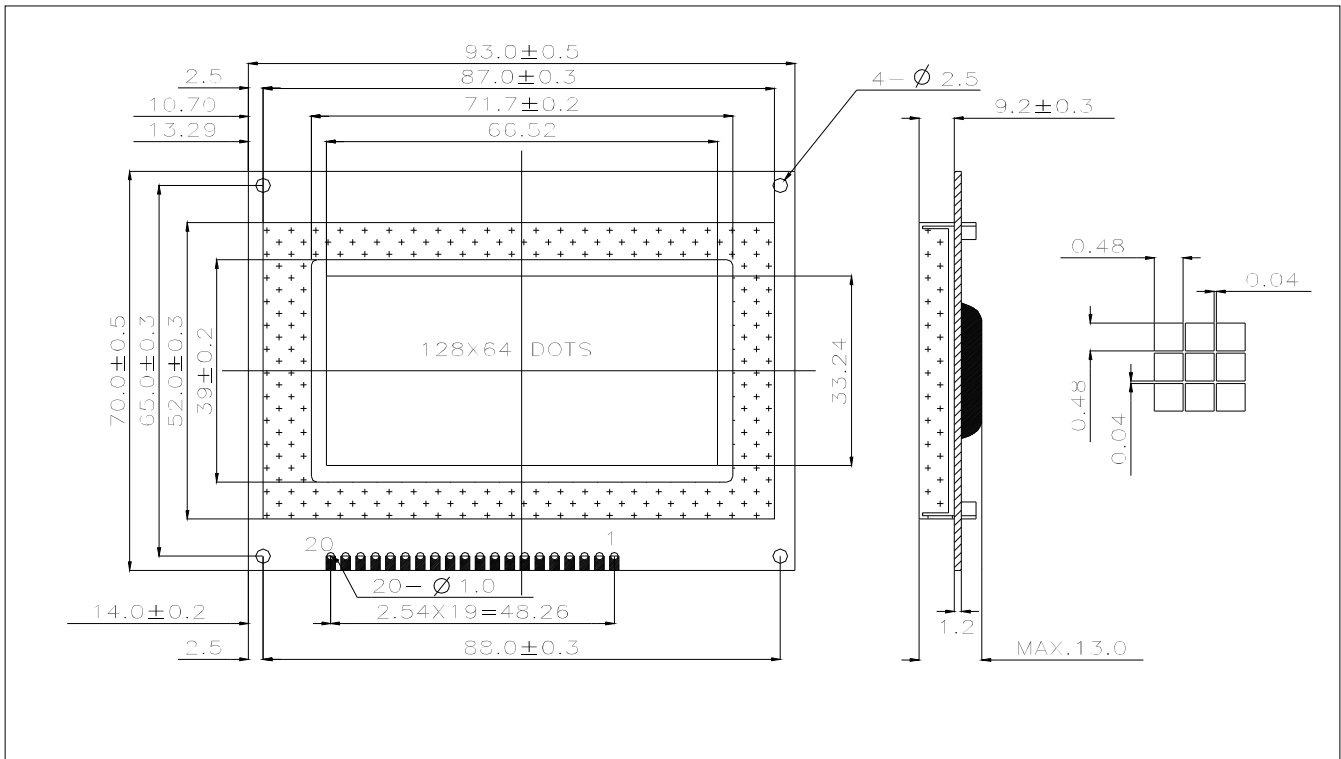
Part Number	G-1286420C-VA
Format	128 Columns by 64 Rows
Controller	KS0108
Overall Dimensions	93.0mm x 70.0mm x 9.5/13.0mm
Active Area	66.5mm x 33.2mm
Pixel Pitch	520um x 520um
Pixel Size	480um x 480um
Backlight System	None, EL or LED
Driver Attach	Chip on Board (COB)
Display Type	STN, FSTN
Duty	1/64
Bias	1/9



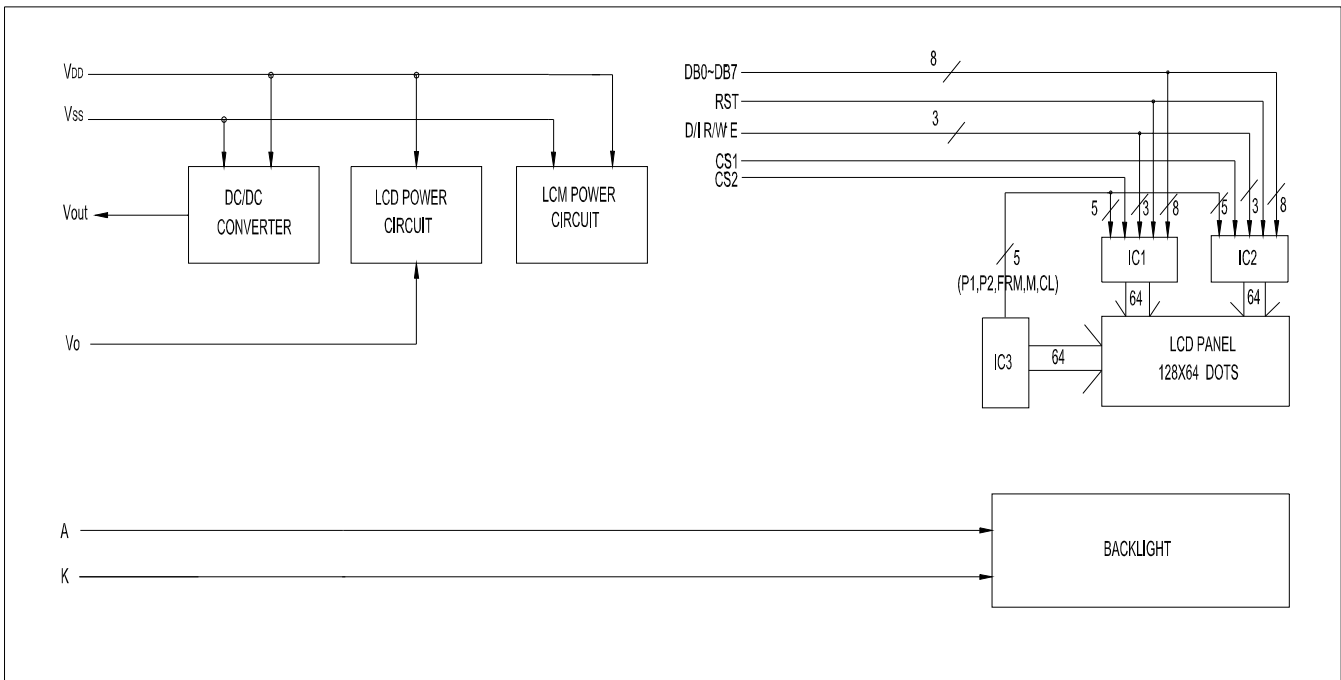
G-1286420C-VA

1/64 DUTY, 1/9 BIAS
128x64 DOTS

1.0 DIMENSIONAL DRAWING



2.0 BLOCK DIAGRAM



3.0 ELECTRICAL CHARACTERISTICS $T_a=25^\circ\text{C}$ $V_{DD}=5.0\text{V}\pm 0.25\text{V}$

Item	Symbol	Test Condition	Standard Value			
			Min.	Typ.	Max.	Unit
Power Supply Voltage	$V_{DD}-V_{SS}$	25°C	4.5	5.0	5.5	V
LCD Operation Voltage	V_{OP}		-	12.5	-	V
LCM Current Consumption	I_{DD}		-	9.0	15.0	mA
Backlight Forward Voltage	V_F		-	4.5	-	V

4.0 ABSOLUTE MAXIMUM RATINGS

Item	Symbol	Test Condition	Standard Value		
			Min.	Max.	Unit
Supply Voltage (Logic)	$V_{DD}-V_{SS}$	25°C	-0.3	7.0	V
Supply Voltage (LCD)	$V_{DD}-V_O$		-0.3	17.5	V
Input Voltage	V_{IN}		-0.3	$V_{DD}+0.3$	V
Operating Temp.	T_{OPR}	-	-20	70	°C
Storage Temp.	T_{STG}	-	-30	80	°C

5.0 PIN ASSIGNMENT

PIN No.	Symbol	Description
1	GND	Power supply(GND)
2	V_{DD}	Power supply
3	V_O	Contrast adjust
4	D/I	Register selection H: Display data, L: Instruction
5	R/W	Read/Write selection H: Read L: Write
6	E	Enable signal
7~14	DB0~DB7	Data bus
15	CS1	Chip select signal for IC1
16	CS2	Chip select signal for IC2
17	RST	Reset signal
18	Vout	Negative voltage output
19	LEDK	LED Back-light
20	LEDA	LED Back-light

Remark

1. LCD option: STN, FSTN .
2. Standard module.
3. Backlight option: LED backlight feature, other specs not available on catalog is under request.