

Phoenix Display International, Inc.

PRODUCT PREVIEW

128 x 64 Monochrome

TN/STN

Graphics

Liquid Crystal Display

SPECIFICATIONS

MODULE

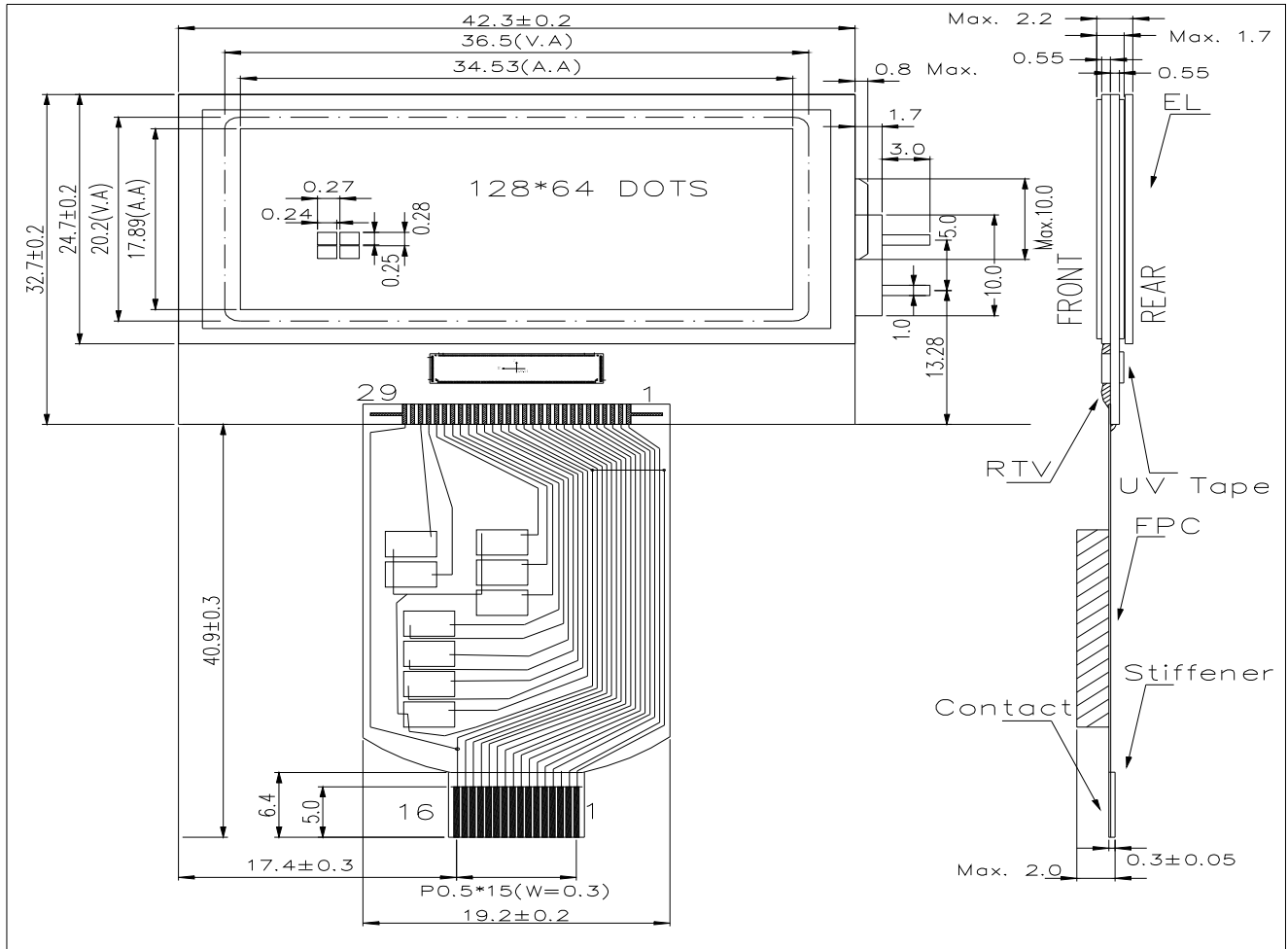
Part Number	G-1286437G-VA
Format	128 Columns by 64 Rows
Controller	S6B1713A11-B0CZ
Overall Dimensions	42.3mm x 73.6mm x 1.7mm
Active Area	34.5mm x 17.9mm
Pixel Pitch	270um x 280um
Pixel Size	240um x 250um
Backlight System	EL
Driver Attach	Chip on Glass (COG)
Display Type	STN, FSTN
Duty	1/64
Bias	1/9



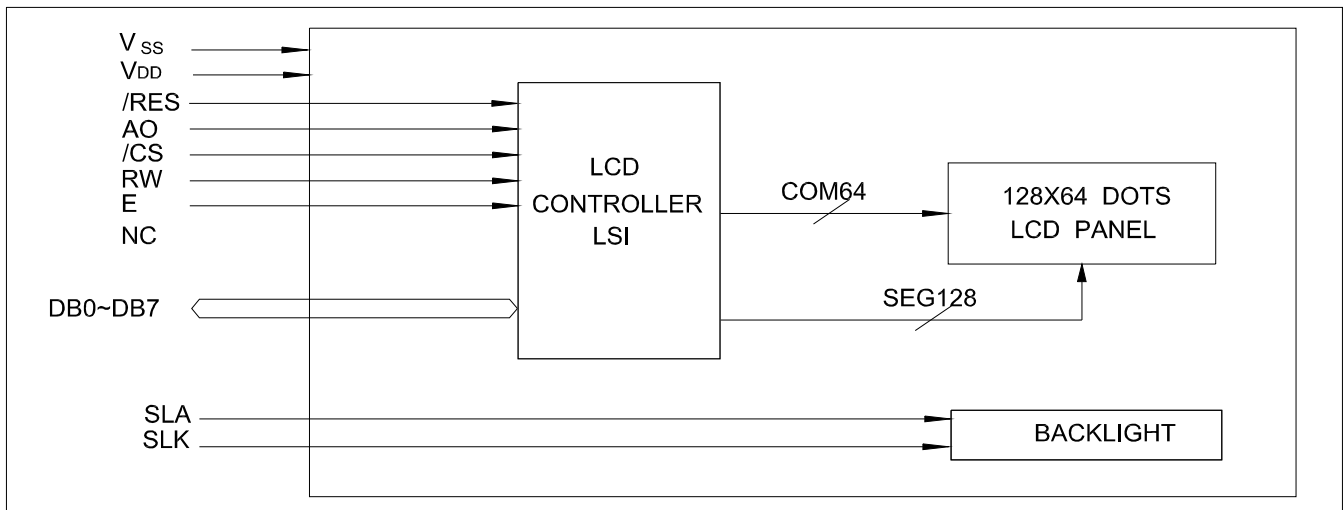
G-1286437G-VA

1/64 DUTY, 1/9 BIAS
128x64 DOTS

1.0 DIMENSIONAL DRAWING



2.0 BLOCK DIAGRAM



3.0 ELECTRICAL CHARACTERISTICS $T_a=25^\circ\text{C}$ $V_{DD}=3.0\text{V} \pm 0.25\text{V}$

Item	Symbol	Test Condition	Standard Value			Unit
			Min.	Typ.	Max.	
Power Supply Voltage	$V_{DD}-V_{SS}$	25°C	2.7	3.0	5.5	V
LCD Operation Voltage	V_{OP}			9.0	13	V
LCM Current Consumption	I_{DD}			2	3	mA
Backlight Forward Voltage	V_F			110		V

4.0 ABSOLUTE MAXIMUM RATINGS

Item	Symbol	Test Condition	Standard Value		
			Min.	Max.	Unit
Supply Voltage (Logic)	$V_{DD}-V_{SS}$	25°C	-0.3	7	V
Supply Voltage (LCD)	$V_{DD}-V_O$		-0.3	13	V
Input Voltage	V_{IN}		-0.3	$V_{DD}+0.3$	V
Operating Temp.	T_{OPR}		0	50	°C
Storage Temp.	T_{STG}		-10	60	°C

5.0 PIN ASSIGNMENT

PIN No.	Symbol	Description
1	VSS	Ground
2	/CS	Chip enable signal
3	NC	No Connect
4	/RES	Reset signal Power supply for LCD
5	A0	Register select input pin
6	RW	Read / Write execution control pin
7	E	Read / Write execution control pin
8~15	D0~D7	Data bus
16	V_{DD}	Power supply for logic circuit

Remark

1. LCD option: STN, FSTN .
2. Customized module.
3. Backlight option: EL backlight feature, other specs not available on catalog is under request.