

Phoenix Display International, Inc.

PRODUCT PREVIEW

128 x 64 Monochrome

TN/STN

Graphics
Liquid Crystal Display

SPECIFICATIONS

MODULE

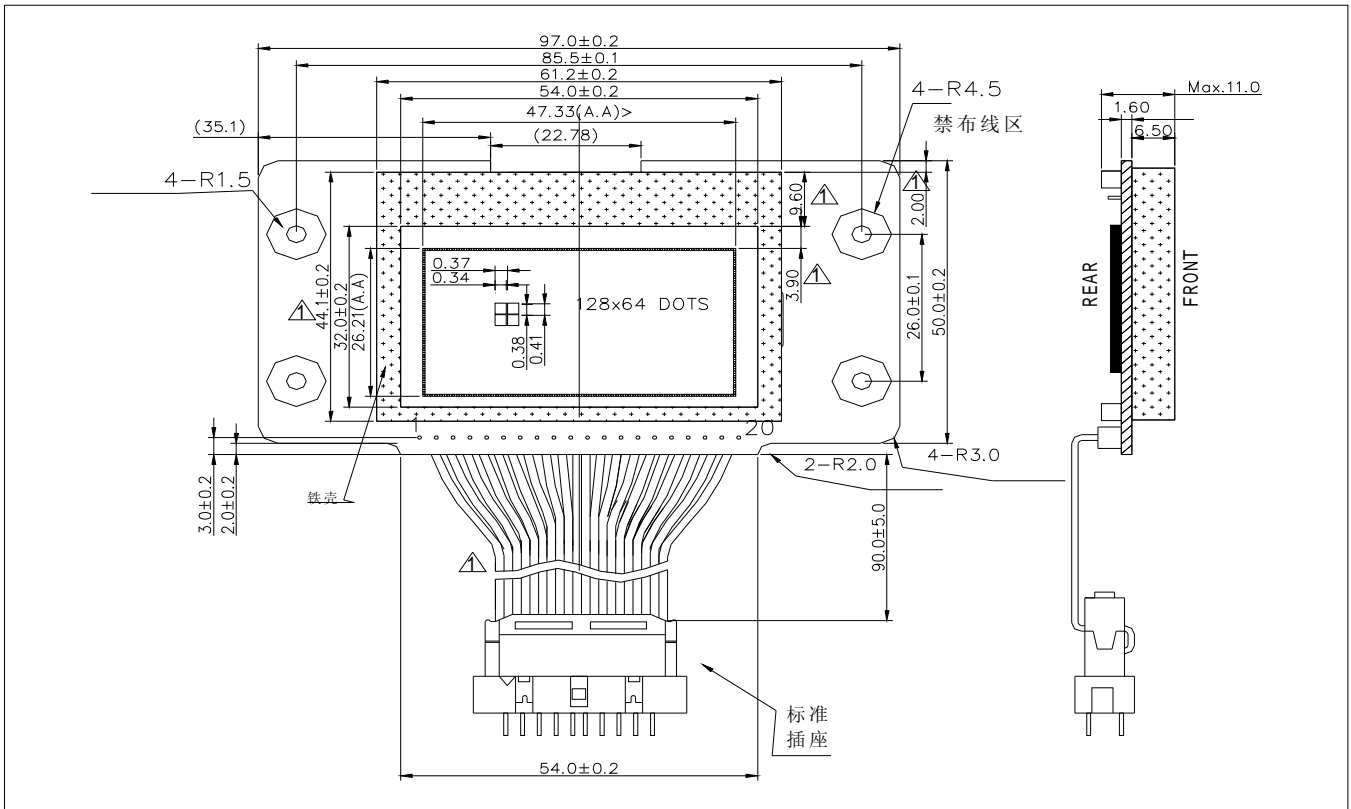
Part Number	G-1286452G-VA
Format	128 Columns by 64 Rows
Controller	S6B0724
Overall Dimensions	97.0mm x 52.0mm x 11.0mm
Active Area	47.3mm x 26.2mm
Pixel Pitch	370um x 410um
Pixel Size	340um x 380um
Backlight System	LED
Driver Attach	Chip on Glass (COG)
Display Type	STN, FSTN
Duty	1/64
Bias	1/9



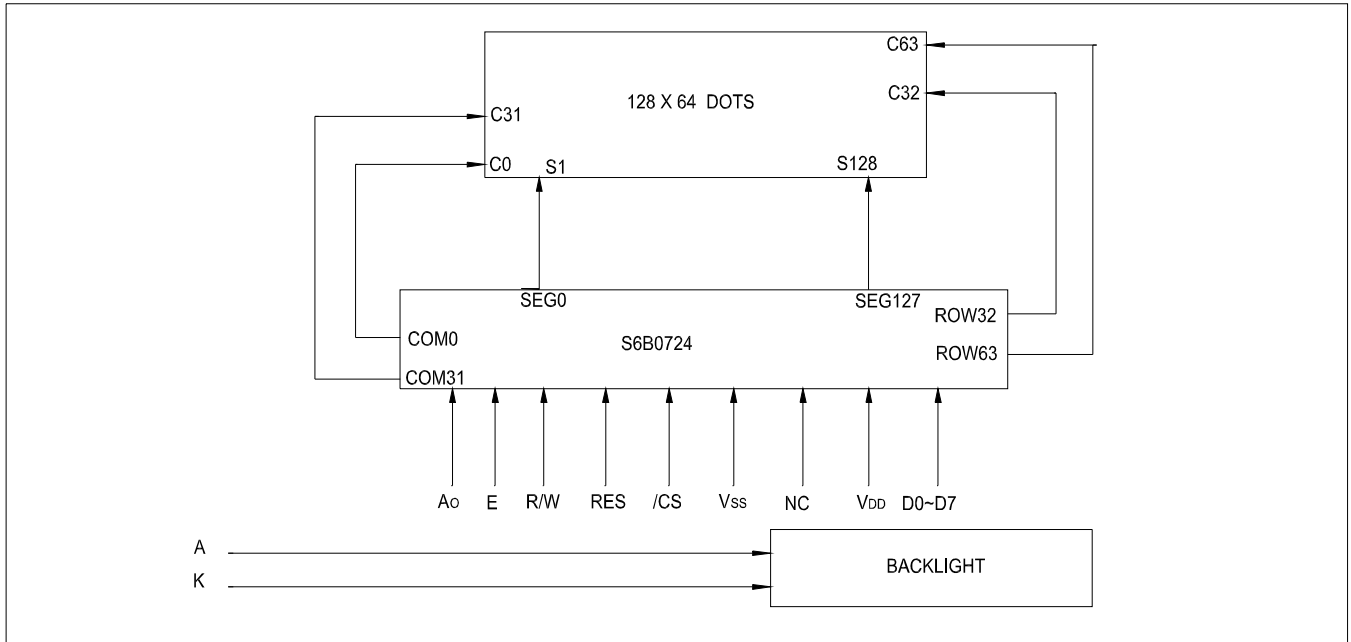
G-1286452G-VA

1/64 DUTY, 1/9 BIAS
128x64 DOTS

1.0 DIMENSIONAL DRAWING



2.0 BLOCK DIAGRAM



3.0 ELECTRICAL CHARACTERISTICS $T_a=25^\circ\text{C}$ $V_{DD}=3.0\text{V}\pm 0.25\text{V}$

Item	Symbol	Test Condition	Standard Value			Unit
			Min.	Typ.	Max.	
Power Supply Voltage	$V_{DD}-V_{SS}$	25°C	-	3.0	-	V
LCD Operation Voltage	V_{OP}		-	9.0	-	V
LCM Current Consumption	I_{DD}		-	-	-	mA
Backlight Forward Voltage	V_F		-	3.4	-	V

4.0 ABSOLUTE MAXIMUM RATINGS

Item	Symbol	Test Condition	Standard Value		
			Min.	Max.	Unit
Supply Voltage (Logic)	$V_{DD}-V_{SS}$	25°C	-0.3	7	V
Supply Voltage (LCD)	$V_{DD}-V_{O}$		-0.3	17	V
Input Voltage	V_{IN}		-0.3	$V_{DD}+0.3$	V
Operating Temp.	T_{OPR}	-	0	50	°C
Storage Temp.	T_{STG}	-	-10	60	°C

5.0 PIN ASSIGNMENT

PIN No.	Symbol	Description
1	A0	H: Data ; L: Command
2	E	H: Enable
3	R/W	H: Read; L: Write
4	RES	H: Normal; L: Reset
5	/CS	L: Chip Select
6	VSS	GND
7	NC	No Connection
8	VDD	Recommend +5.0V
9~16	D0-D7	Data bus
17	A(LED)	TBD. (+1.8V-+2.0V)
18	K(LED)	Connect to GND.
19	NC	No connection
20	NC	No connection

Remark

1. LCD option: STN, FSTN .
2. Customized module.
3. Backlight option: LED backlight feature, other specs not available on catalog is under request.