

PRODUCT PREVIEW

128 x 80 Monochrome

SPECIFICATIONS

MODULE

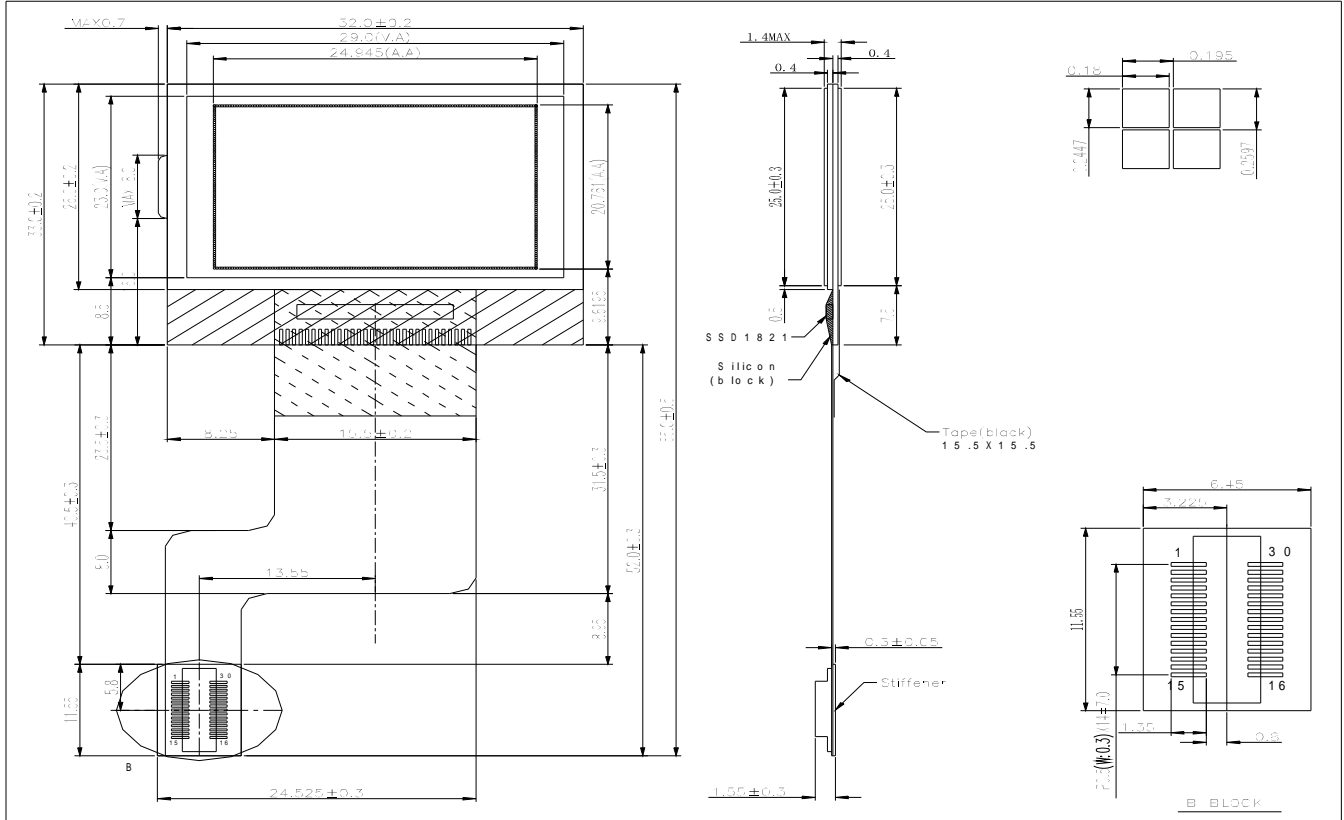
Part Number	G-1288001G-VA
Format	128 Columns by 80 Rows
Controller	SSD1821Z
Overall Dimensions	32.0mm x 33.0mm x 1.4mm
Active Area	24.9mm x 20.8mm
Pixel Pitch	195um x 260um
Pixel Size	180um x 180um
Backlight System	EL
Driver Attach	Chip on Glass (COG)
Display Type	STN, FSTN
Duty	1/80
Bias	1/9



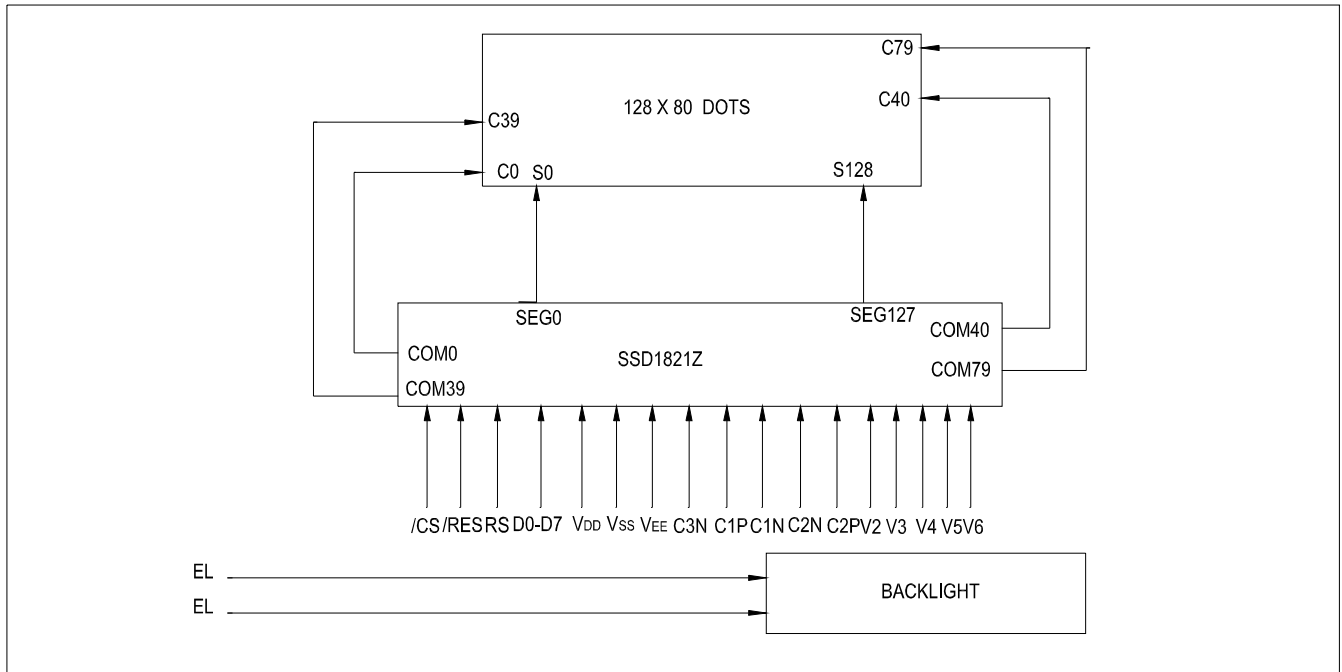
G-1288001G-VA

1/64 DUTY, 1/9 BIAS
128x80DOTS

1.0 DIMENSIONAL DRAWING



2.0 BLOCK DIAGRAM



3.0 ELECTRICAL CHARACTERISTICS Ta=25 °C V_{DD}=2.7V±0.25V

Item	Symbol	Test Condition	Standard Value			Unit
			Min.	Typ.	Max.	
Power Supply Voltage	V _{DD} -V _{SS}	25°C	2.4	3.0	3.5	V
LCD Operation Voltage	V _{OP}		-	9.6	13	V
LCM Current Consumption	I _{DD}		-	90	120	μA
Backlight Forward Voltage	V _F		-	100	-	Vrms

4.0 ABSOLUTE MAXIMUM RATINGS

Item	Symbol	Test Condition	Standard Value		
			Min.	Max.	Unit
Supply Voltage (Logic)	$V_{DD}-V_{SS}$	25°C	-0.3	4.0	V
Supply Voltage (LCD)	$V_{DD}-V_{O}$		-0.3	12	V
Input Voltage	V_{IN}		-0.3	$V_{DD}+0.3$	V
Operating Temp.	T_{OPR}		-30	70	°C
Storage Temp.	T_{STG}		-40	80	°C

5.0 PIN ASSIGNMENT

PIN No.	Symbol	Description
1	V5	LCD driver supply voltage
2	V4	LCD driver supply voltage
3	V6	LCD driver supply voltage
4	V3	LCD driver supply voltage
5	GND	GND
6	V2	LCD driver supply voltage
7	VDD	Power supply
8	VLCD	Connect to 1.0uF à GND
9	GND	GND
10	C1-	Connect to 1.0uF à C1N
11	C1+	-
12	C3+	Connect to 1.0uF à C1N
13	C4+	Connect to 1.0uF à C2N
14	C2-	-
15	C2+	Connect to 1.0uF à C2N
16	RS	H: Data signal, L: Instruction signal
17	/CS	Chip select pin
18	/WR	Write mode
19	/RES	Reset signal
20	/RD	Read mode
21	DB0	Data bus
22	NC	-
23	DB1	Data bus
24	NC	-
25	DB2	Data bus
26	DB7	Data bus
27	DB3	Data bus
28	DB6	Data bus
29	DB4	Data bus
30	DB5	Data bus

Remark

1. LCD option: STN, FSTN .
2. Customized module.
3. Backlight option: EL backlight feature, other specs not available on catalog is under request.