

PRODUCT PREVIEW

128 x 112 Monochrome

SPECIFICATIONS

MODULE

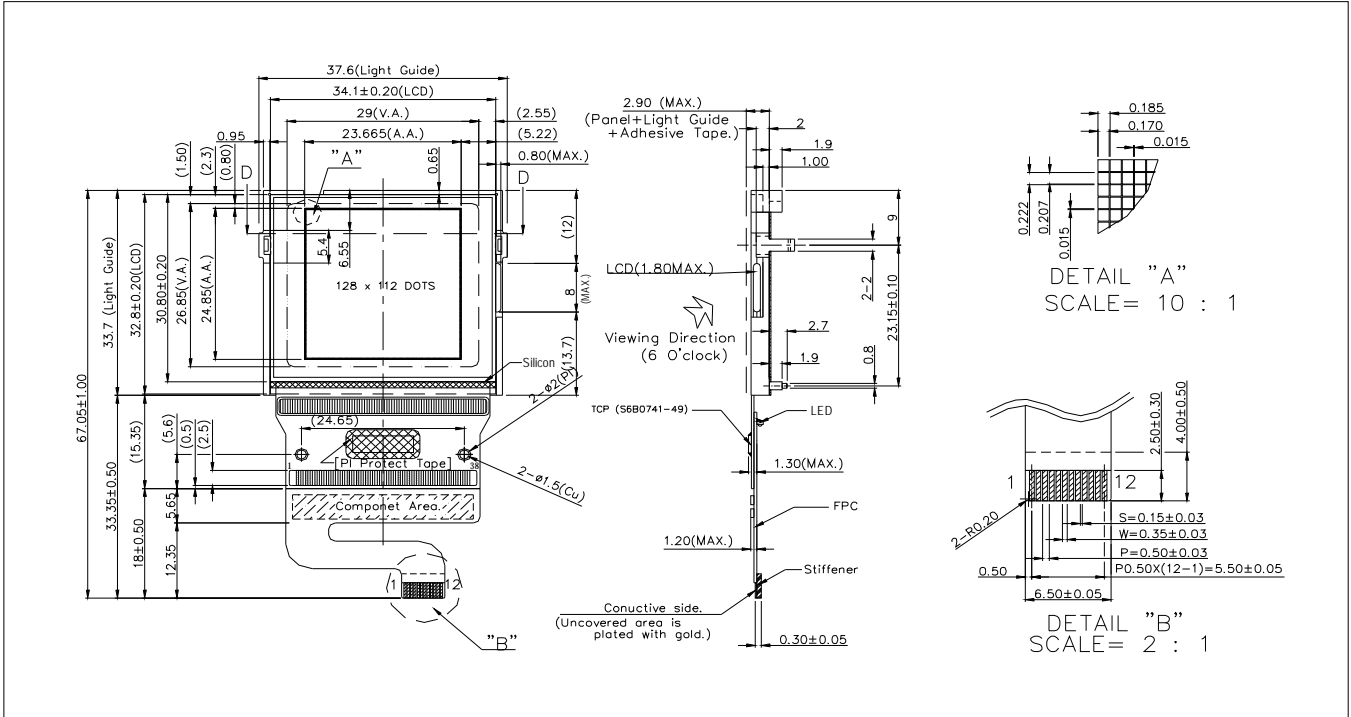
Part Number	G-128811203T-VA
Format	128 Columns by 112 Rows
Controller	KS0741-49
Overall Dimensions	37.6mm x 67.1mm x 2.9mm
Active Area	23.7mm x 24.9mm
Pixel Pitch	185um x 222um
Pixel Size	170um x 207um
Backlight System	LED
Driver Attach	TAB
Display Type	STN, FSTN
Duty	1/112
Bias	1/11



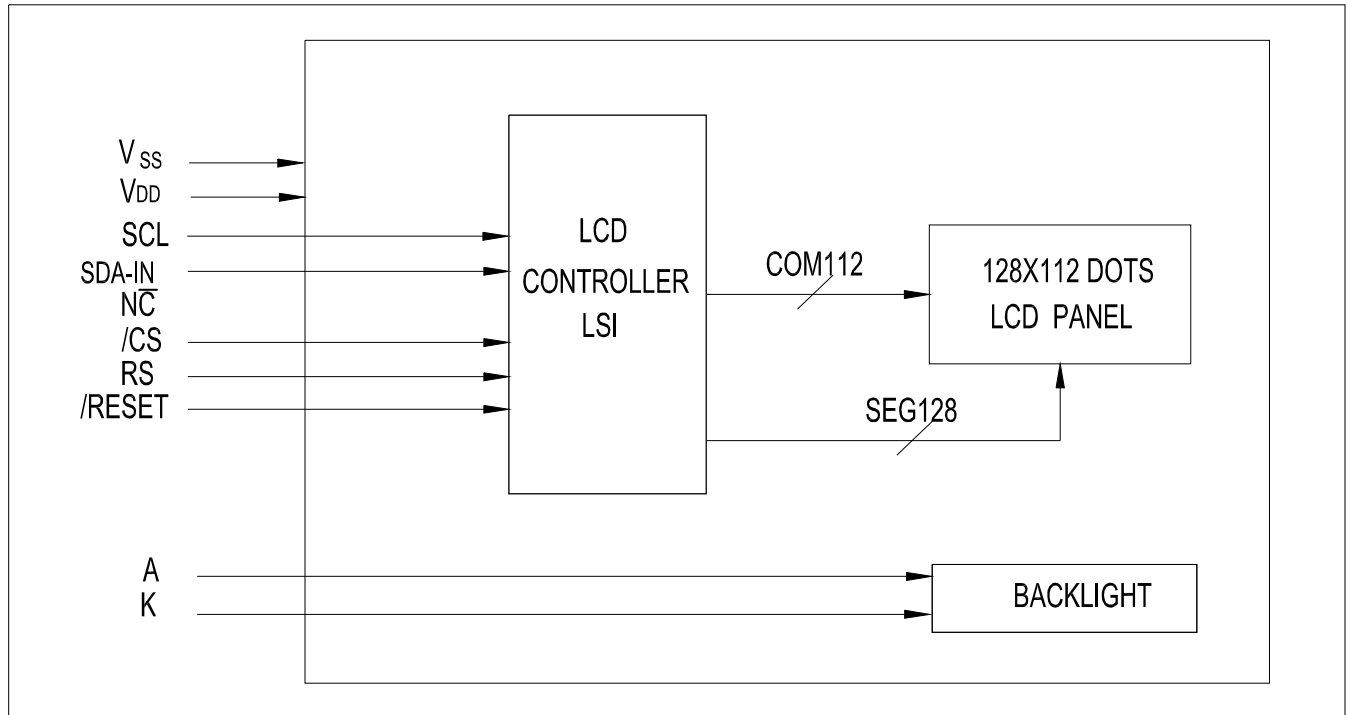
G-12811203T-VA

1/112 DUTY, 1/11 BIAS
128x112 DOTS

1.0 DIMENSIONAL DRAWING



2.0 BLOCK DIAGRAM



3.0 ELECTRICAL CHARACTERISTICS Ta=25 °C V_{DD}=2.80V±0.25V

Item	Symbol	Test Condition	Standard Value			Unit
			Min.	Typ.	Max.	
Power Supply Voltage	V _{DD} -V _{SS}	25°C	2.4	2.8	3.6	V
LCD Operation Voltage	V _{OP}		-	11.8	-	V
LCM Current Consumption	I _{DD}		-	0.2	0.3	mA
Backlight Forward Voltage	V _F		-	3.2	-	V
Backlight Current Consumption	I _F		-	20	-	mA

4.0 ABSOLUTE MAXIMUM RATINGS

Item	Symbol	Test Condition	Standard Value		
			Min.	Max.	Unit
Supply Voltage (Logic)	$V_{DD}-V_{SS}$	25°C	-0.3	7	V
Supply Voltage (LCD)	$V_{DD}-V_{O}$		-0.3	17	V
Input Voltage	V_{IN}		-0.3	$V_{DD}+0.3$	V
Operating Temp.	T_{OPR}		-20	70	°C
Storage Temp.	T_{STR}		-40	80	°C

5.0 PIN ASSIGNMENT

PIN No.	Symbol	Description
1	V_{DD}	Power supply for Logic voltage
2	V_{DD}	Power supply for Logic voltage
3	SCL	Serial input clock
4	SDA_IN	Serial input data
5	NC	No Connection
6	/CS	Chip selection
7	RS	Selects the register
8	/RESET	Reset input
9	LED+	Power supply for LED voltage
10	LED-	Power supply for LED voltage
11	V_{SS}	Ground
12	V_{SS}	Ground

Remark

1. LCD option: STN, FSTN .
2. Customized module.
3. Backlight option: LED backlight feature, other specs not available on catalog is under request.