

Phoenix Display International, Inc.

PRODUCT PREVIEW

240 x 64 Monochrome

TN/STN

Graphics

Liquid Crystal Display

SPECIFICATIONS

MODULE

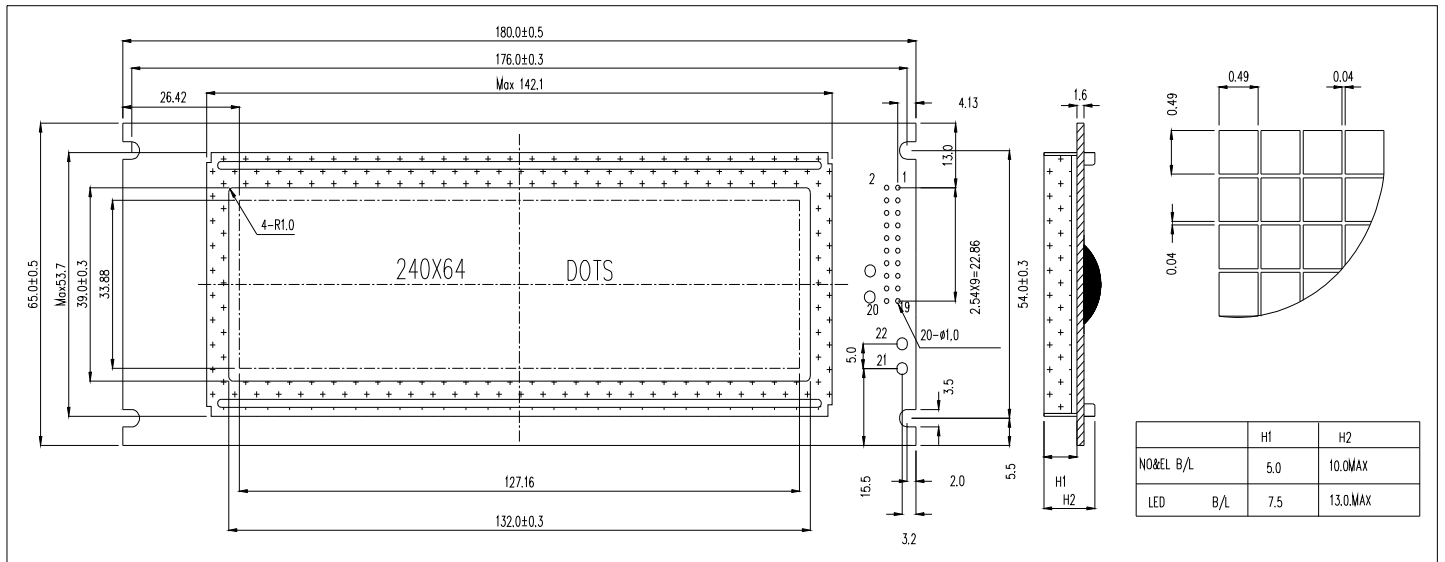
Part Number	G-2406405C-VA
Format	240 Columns by 64 Rows
Controller	T6963C
Overall Dimensions	180.0mm x 65.0mm x 13.0mm
Active Area	127.1mm x 33.9mm
Pixel Pitch	530um x 530um
Pixel Size	490um x 490um
Backlight System	LED
Driver Attach	Chip on Board (COB)
Display Type	STN, FSTN
Duty	1/64
Bias	1/9



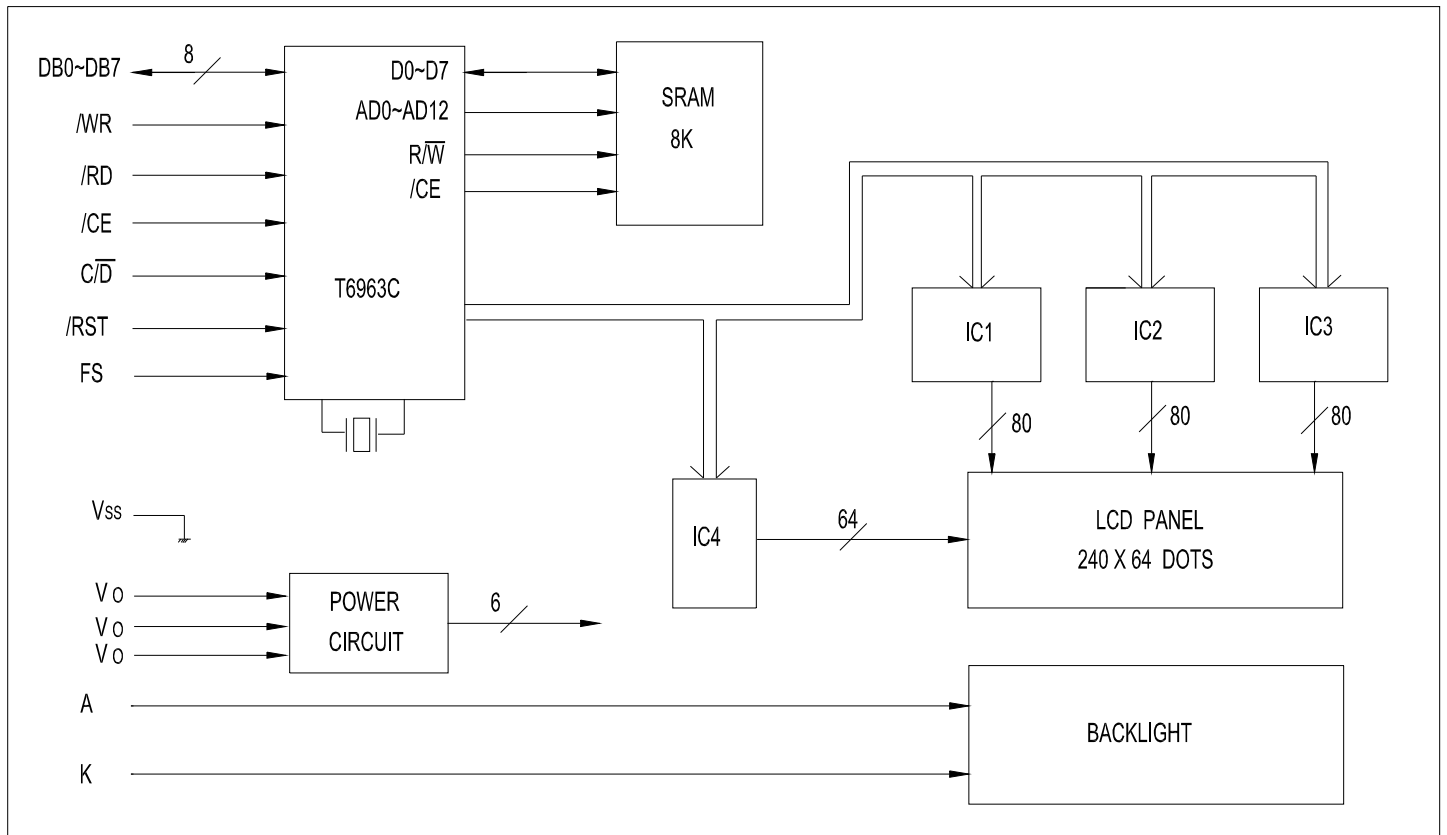
G-2406405C-VA

1/64 DUTY, 1/9 BIAS
240x64 DOTS

1.0 DIMENSIONAL DRAWING



2.0 BLOCK DIAGRAM



3.0 ELECTRICAL CHARACTERISTICS Ta=25 °C V_{DD}=5.0V±0.25V

Item	Symbol	Test Condition	Standard Value			
			Min.	Typ.	Max.	Unit
Power Supply Voltage	VDD-VSS	25°C	4.5	5.0	5.5	V
LCD Operation Voltage	VOP		-	12.0	-	V
LCM Current Consumption	IDD		-	-	20.0	mA
Backlight Forward Voltage	VF		-	4.2	-	V

4.0 ABSOLUTE MAXIMUM RATINGS

Item	Symbol	Test Condition	Standard Value		
			Min.	Max.	Unit
Supply Voltage (Logic)	VDD-VSS	25°C	-0.3	7.0	V
Supply Voltage (LCD)	VDD-VO		-	28	V
Input Voltage	VIN		-0.3	VDD+0.3	V
Operating Temp.	TOPR	-	-20	70	°C
Storage Temp.	TSTG	-	-30	80	°C

5.0 PIN ASSIGNMENT

PIN No.	Symbol	Description
1	FG	Frame Ground
2	VSS	Ground
3	VDD	Power supply for logic circuit
4	Vo	Operating voltage for LCD driving
5	$\overline{\text{WR}}$	Command and data write signal
6	$\overline{\text{RD}}$	Data and status read signal
7	$\overline{\text{CE}}$	Chip enable signal
8	$\overline{\text{C/D}}$	Write: H-Command write, L-Data write Read: H-Status read, L-Data read
9	Nc	No connection
10	$\overline{\text{RESET}}$	Reset signal
11~18	DB0~DB7	Data bus
19	FS	Font selection H: 6x8Dots, L: 8x8dots
20	NC	No connection
21	LEDK	LED Back-light
22	LEDA	LED Back-light

Remark

1. LCD option: STN, FSTN .
2. Standard module.
3. Backlight option: LED backlight feature, other specs not available on catalog is under request.