

Phoenix Display International, Inc.

# PRODUCT PREVIEW

## 80 x 48 Monochrome

**TN/STN**

Graphics  
Liquid Crystal Display

### SPECIFICATIONS

#### MODULE

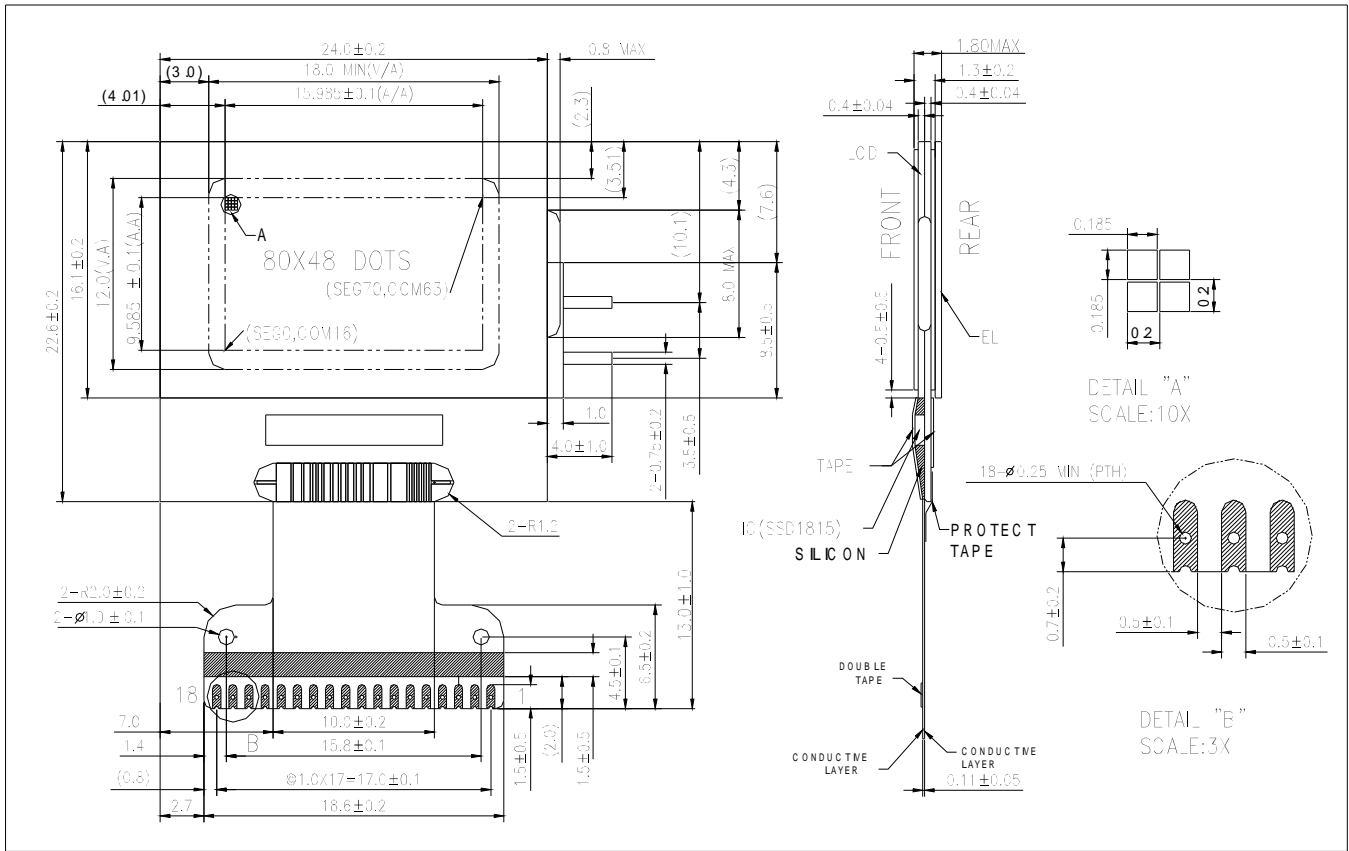
Part Number	G-804801G-VA
Format	80 Columns by 48 Rows
Controller	SSD1815BZ
Overall Dimensions	24.0mm x 35.6mm x 1.8mm
Active Area	16.0mm x 9.6mm
Pixel Pitch	200um x 200um
Pixel Size	185um x 185um
Backlight System	EL
Driver Attach	Chip on Glass (COG)
Display Type	FSTN
Duty	1/65
Bias	1/9



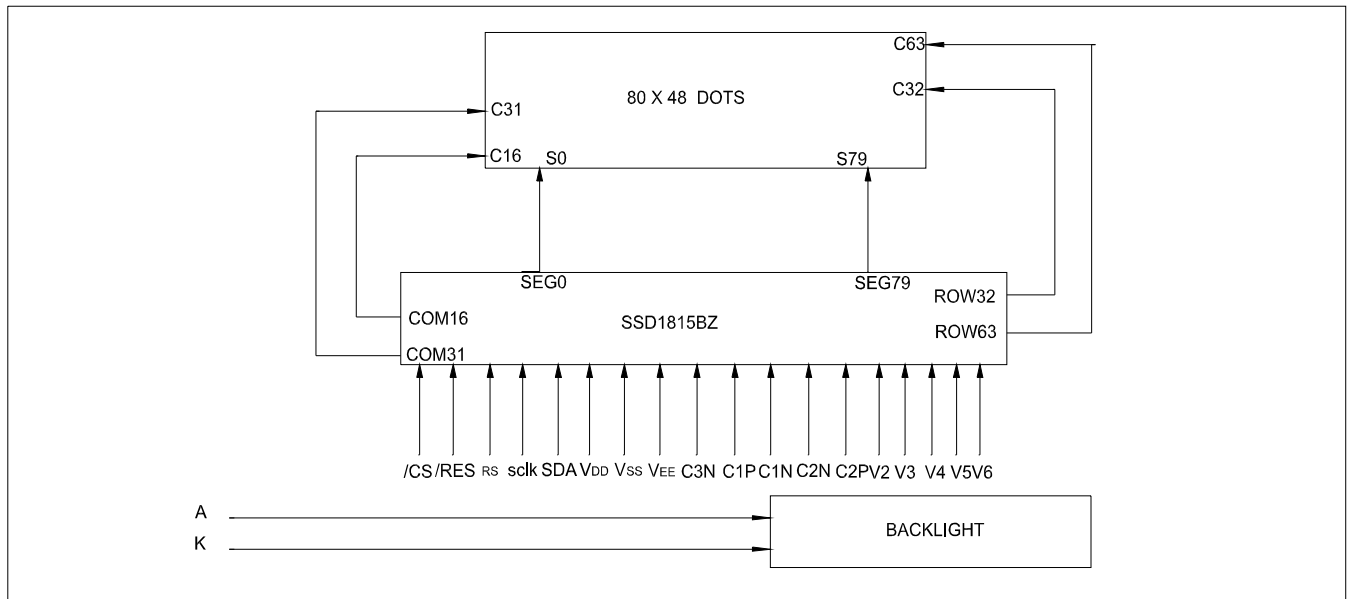
# G-804801G-VA

1/65DUTY,1/9 BIAS  
80×48DOTS

## 1.0 DIMENSIONAL DRAWING



## 2.0 BLOCK DIAGRAM



## 3.0 ELECTRICAL CHARACTERISTICS $T_a=25^\circ\text{C}$ $V_{DD}=2.8\text{V}\pm 0.25\text{V}$

Item	Symbol	Test Condition	Standard Value			
			Min.	Typ.	Max.	Unit
Power Supply Voltage	$V_{DD}-V_{SS}$	25°C	2.55	2.8	3.05	V
LCD Operation Voltage	$V_{OP}$			9.2	-	V
LCM Current Consumption	$I_{DD}$			2	3	mA
Backlight Forward Voltage(EL)	$V_F$			110	-	~V

## 4.0 ABSOLUTE MAXIMUM RATINGS

Item	Symbol	Test Condition	Standard Value		
			Min.	Max.	Unit
Supply Voltage (Logic)	$V_{DD}-V_{SS}$	25°C	-0.3	4.0	V
Supply Voltage (LCD)	$V_{EE}$		0	-12	V
Input Voltage	$V_{IN}$		-0.3	$V_{DD}+0.3$	V
Operating Temp.	$T_{OPR}$		-20	70	°C
Storage Temp.	$T_{STG}$		-30	80	°C

## 5.0 PIN ASSIGNMENT

PIN No.	Symbol	Description
1	/CS	Connect to MPU
2	/RES	Connect to MPU
3	RS	Connect to MPU
4	SCLK	Connect to MPU
5	SDA	Connect to MPU
6	VDD	Recommend +2.8V
7	VSS	GND
8	VEE	Connect to 1.0uFà VSS
9	C3N	Connect to 1.0uFà C1P
10	C1P	--
11	C1N	Connect to 1.0uFà C1P
12	C2N	Connect to 1.0uFà C2P
13	C2P	---
14	V2	Connect to 1.0uFà VDD
15	V3	Connect to 1.0uFà VDD
16	V4	Connect to 1.0uFà VDD
17	V5	Connect to 1.0uFà VDD
18	V6	Connect to 1.0uFà VDD

### Remark

1. LCD option: FSTN .
2. Customized module.
3. Backlight option: EL backlight feature, other specs not available on catalog is under request.