

PRODUCT PREVIEW

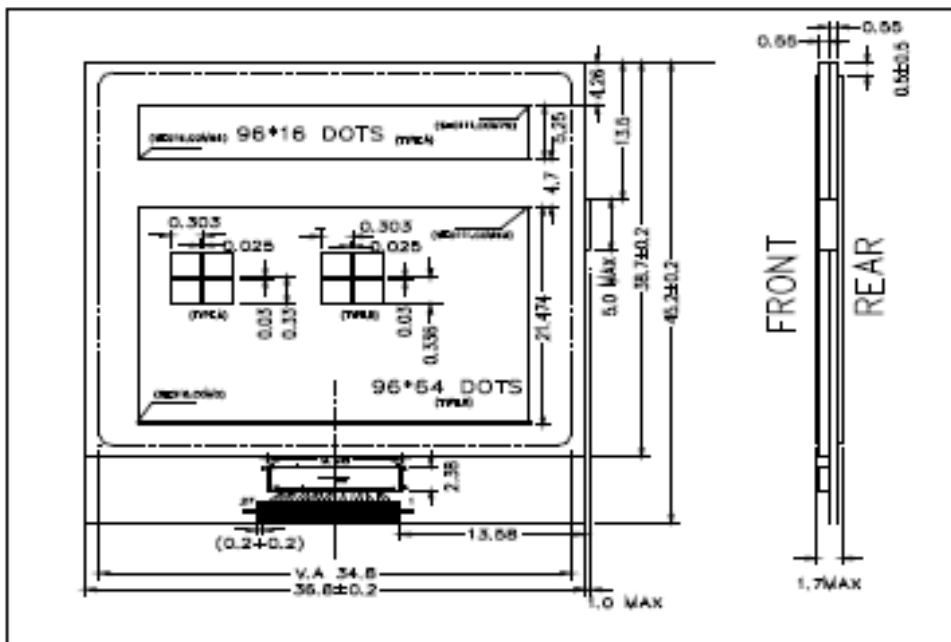
96 x 80 Monochrome

SPECIFICATIONS

MODULE

Part Number	G-968001G-VA
Format	96 Columns by 80 Rows
Controller	S6B0759
Overall Dimensions	36.8mm x 45.2mm x 1.7mm
Active Area	29.1mm x 31.4mm
Pixel Pitch	303um x 336um
Pixel Size	278um x 300um
Backlight System	None
Driver Attach	Chip on Glass (COG)
Display Type	STN, FSTN
Duty	1/80
Bias	1/10

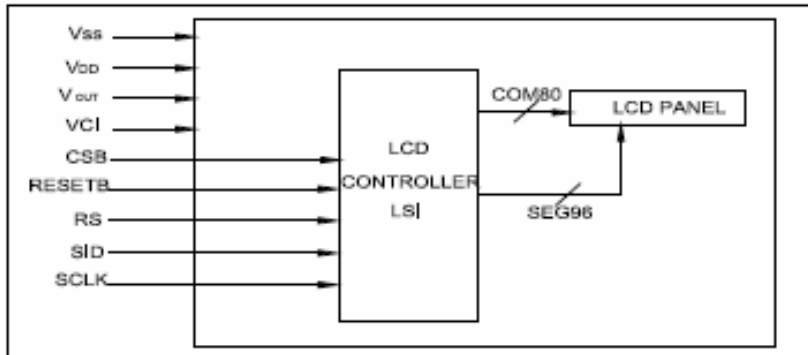
1.0 DIMENSIONAL DRAWING



PRODUCT PREVIEW

96 x 80 Monochrome

2.0 BLOCK DIAGRAM



3.0 ELECTRICAL CHARACTERISTICS Ta=25 °C VDD=3.0V±0.25V

Item	Symbol	Test Condition	Standard Value			Unit
			Min.	Typ.	Max.	
Power Supply Voltage	VDD-VSS	25°C	2.75	3	3.25	V
LCD Operation Voltage	V _{OP}		5	13	V	
LCM Current Consumption	I _{OP}		0.1	0.15	mA	
Backlight Forward Voltage	V _b		-	-	V	

4.0 ABSOLUTE MAXIMUM RATINGS

Item	Symbol	Test Condition	Standard Value		Unit
			Min.	Max.	
Supply Voltage (Logic)	VDD-VSS	25°C	-0.3	7	V
Supply Voltage (LCD)	VDD-V _b		-0.3	17	V
Input Voltage	V _{IN}		-0.3	VDD+0.3	V
Operating Temp.	T _{OP}		0	50	°C
Storage Temp.	T _{STG}		-10	60	°C

5.0 PIN ASSIGNMENT

PIN No.	Symbol	Description
1-2	NC	No connection
3	/CS	Chip select input pin
4	/RES	Reset the input pin
5	RS	Register select input pin
6	SID	Serial input data
7	SCLK	Serial input clock
8-9	VDD	Power supply(+)
10	VCI	Voltage converter input voltage pin
11-12	VSS	Power supply (GND)
13	VOUT	Voltage converter input/output voltage pin
14	C5+	Capacitor 5 positive connection
15	C5-	Capacitor 5 negative connection
16	C1-	Capacitor 1 negative connection
17	C1+	Capacitor 1 positive connection
18	C2+	Capacitor 2 positive connection
19	C2-	Capacitor 2 negative connection
20	C4+	Capacitor 4 positive connection
21-25	V ₀ -V ₅	LCD drive supplies voltages
26-27	NC	No connection

