

Phoenix Display International, Inc.

PRODUCT PREVIEW

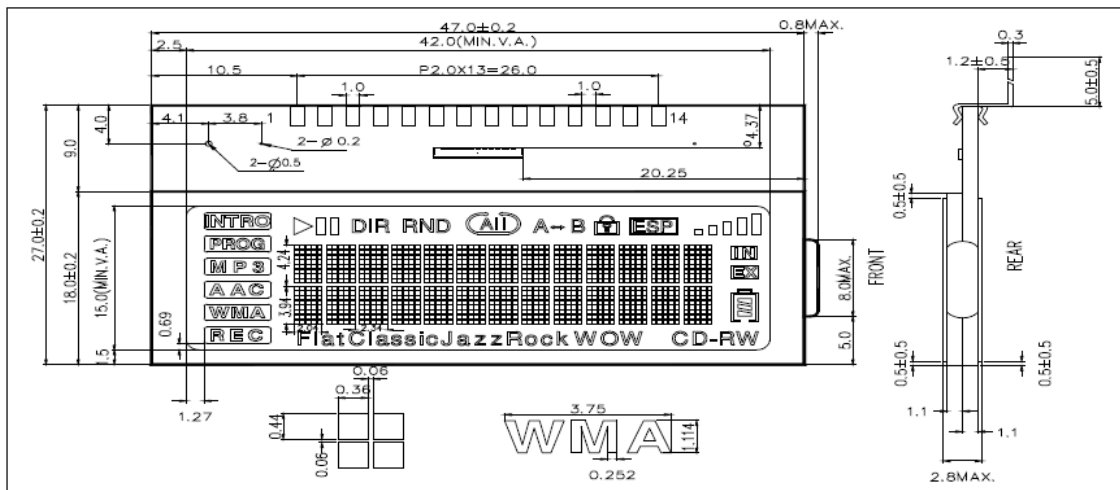
13 Character x 2 Line with icons

SPECIFICATIONS

MODULE

| | |
|--------------------|-----------------------------------|
| Part Number | C-130201G-VA |
| Format | 13 Characters x 2 Line with icons |
| Controller | APU0071 |
| Overall Dimensions | 47.0mm x 32.0mm x 2.8mm |
| Active Area | 42.0mm x 15.0mm |
| Character Size | 2.0mm x 3.9mm |
| Pixel Size | 360um x 440um |
| Backlight System | None |
| Driver Attach | Chip on Glass (COG) |
| Display Type | TN, STN, or FSTN |
| Duty | 1/8 |
| Bias | 1/4 |

1.0 DIMENSIONAL DRAWING

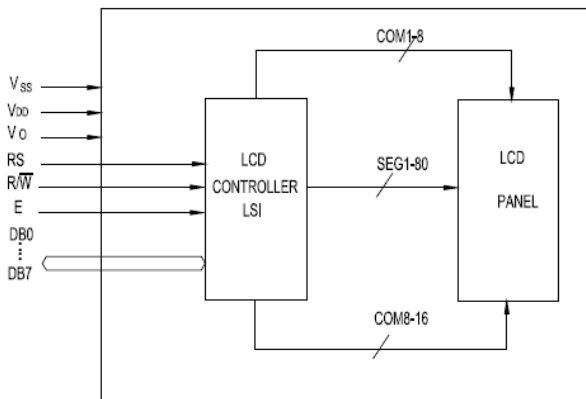


Phoenix Display International, Inc.

PRODUCT PREVIEW

13 Character x 2 Line with icons

2.0 BLOCK DIAGRAM



3.0 PIN ASSIGNMENT

| Pin no. | Symbol | Function |
|--------------|--------------------|------------------------|
| 1 | V _{SS} | Power supply (GND) |
| 2 | V _O | Contrast adjust |
| 3 | V _{DD} | Power supply(+) |
| 4 | RS | Register select signal |
| 5 | R / \overline{W} | Data read / write |
| 6 | E | Enable signal |
| 7 14 | DB0 DB7 | Data bus line |

4.0 ELECTRICAL CHARACTERISTICS Ta=25 °C V_{DD}=3.0V±0.25V

| Item | Symbol | Test Condition | Standard Value | | | |
|---------------------------|----------------------------------|----------------|----------------|------|------|------|
| | | | Min. | Typ. | Max. | Unit |
| Power Supply Voltage | V _{DD} -V _{SS} | 25°C | 2.75 | 3.0 | 3.25 | V |
| LCD Operation Voltage | V _{OP} | 25°C | TN | - | - | V |
| | | | STN | - | 4 | V |
| LCM Current Consumption | I _{DD} | 25°C | - | 1 | 2 | mA |
| Backlight Forward Voltage | V _F | | - | - | - | V |

5.0 ABSOLUTE MAXIMUM RATINGS

| Item | Symbol | Test Condition | Standard Value | | |
|------------------------|----------------------------------|----------------|----------------|----------------------|------|
| | | | Min. | Max. | Unit |
| Supply Voltage (Logic) | V _{DD} -V _{SS} | 25°C | -0.3 | 5 | V |
| Supply Voltage (LCD) | V _{DD} -V _O | | -0.3 | 7 | V |
| Input Voltage | V _{IN} | | -0.3 | V _{DD} +0.3 | V |
| Operating Temp. | T _{OPR} | - | -20 | 70 | °C |
| Storage Temp. | T _{STG} | - | -30 | 80 | °C |

