

TN/STN

Character
Liquid Crystal Display

Phoenix Display International, Inc.

PRODUCT PREVIEW

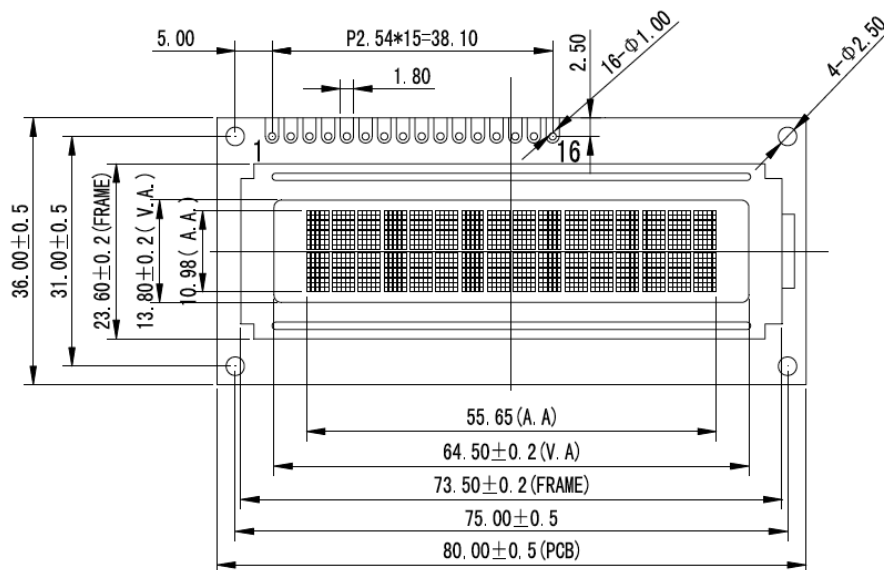
16 Character x 2 Line

SPECIFICATIONS

MODULE

Part Number	JYC-160248C
Format	16 Characters x 2 Line
Controller	SPLC780D1
Overall Dimensions	80.0mm x 36.0mm x 13.6mm
Active Area	55.65mm x 10.98mm
Character Size	3.0mm x 5.23mm
Pixel Size	560um x 610um
Backlight System	LED
Driver Attach	Chip on Board (COB)
Display Type	TN, STN, or FSTN

1.0 DIMENSIONAL DRAWING



Phoenix Display International reserves the right to change this document without prior notice and disclaims all warranties. It is the recipient's duty to confirm with PDI before proceeding with a design. This document is PDI confidential and should not be reproduced without PDI approval.



Phoenix Display International, Inc.
www.phoenixdisplay.com sales@phoenixdisplay.com
Tel: (630) 359-5700 or (480) 775-6315

TN/STN

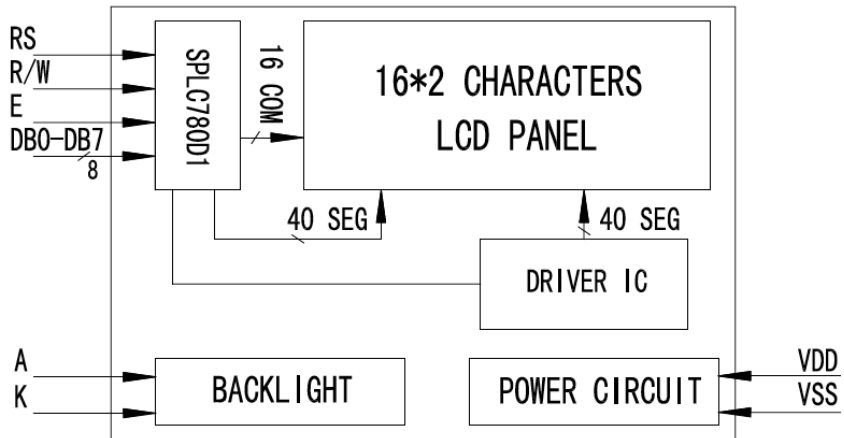
Character
Liquid Crystal Display

Phoenix Display International, Inc.

PRODUCT PREVIEW

16 Character x 2 Line

2.0 BLOCK DIAGRAM



5.0 PIN ASSIGNMENT

PIN No.	Symbol
1	VSS
2	VDD
3	V0
4	RS
5	R/W
6	E
7-14	DB0-DB7
15	A
16	K

