

TN/STN

Character
Liquid Crystal Display

Phoenix Display International, Inc.

PRODUCT PREVIEW

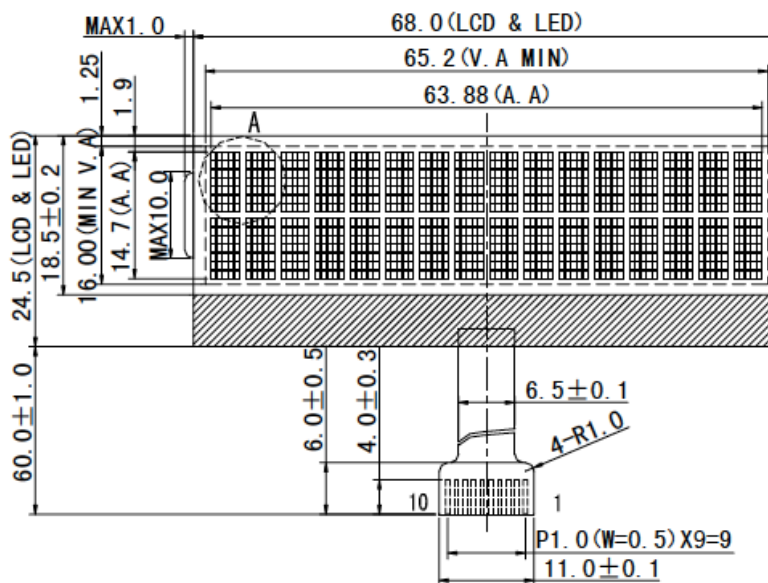
16 Character x 2 Line

SPECIFICATIONS

MODULE

Part Number	JYC-160239G-2
Format	16 Characters x 2 Line
Controller	ST7032
Overall Dimensions	68.0mm x 24.5mm x 5.7mm
Active Area	63.88mm x 14.7mm
Character Size	3.28mm x 7.0mm
Pixel Size	600um x 940um
Backlight System	LED
Driver Attach	Chip on Glass (COG)
Display Type	TN, STN, or FSTN

1.0 DIMENSIONAL DRAWING



TN/STN

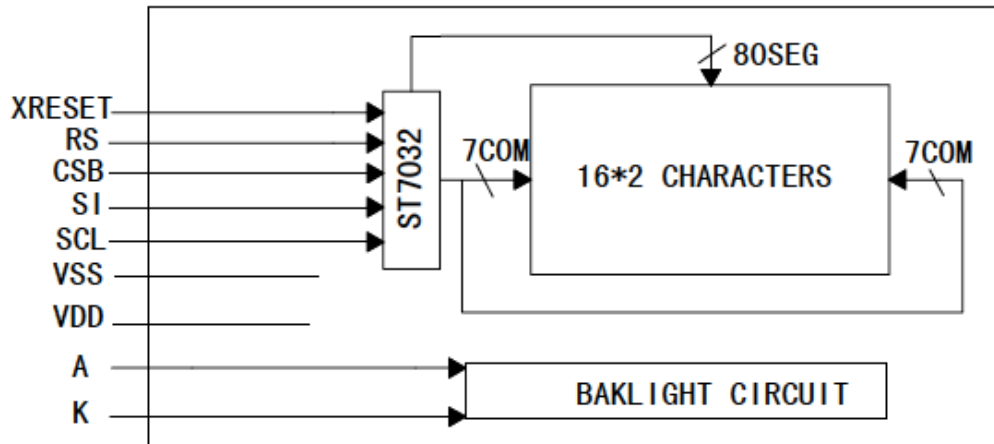
Character
Liquid Crystal Display

Phoenix Display International, Inc.

PRODUCT PREVIEW

16 Character x 2 Line

2.0 BLOCK DIAGRAM



5.0 PIN ASSIGNMENT

PIN No.	Symbol
1	XRESET
2	RS
3	CSB
4	SCL
5	SI
6	VSS
7	VDD
8	VOUT
9	CAP1P
10	CAP1N

