

TN/STN

Character
Liquid Crystal Display

Phoenix Display International, Inc.

PRODUCT PREVIEW

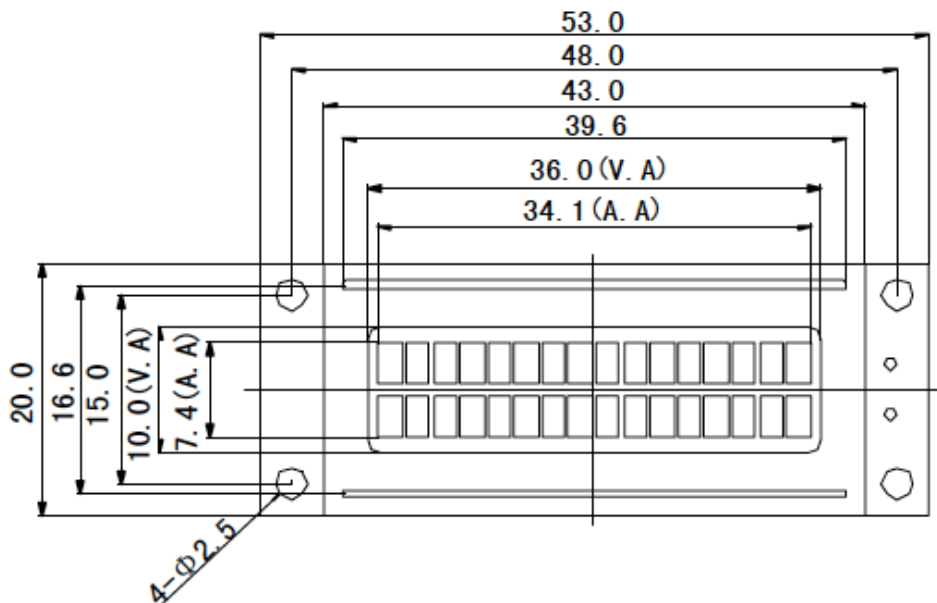
16 Character x 2 Line

SPECIFICATIONS

MODULE

Part Number	JYC-160235C
Format	16 Characters x 2 Line
Controller	IC1
Overall Dimensions	53.0mm x 20.0mm x9.5mm
Active Area	34.1mm x 7.4mm
Character Size	1.85mm x 3.15mm
Pixel Size	330um x 350um
Backlight System	No
Driver Attach	Chip on Board (COB)
Display Type	TN, STN, or FSTN

1.0 DIMENSIONAL DRAWING



TN/STN

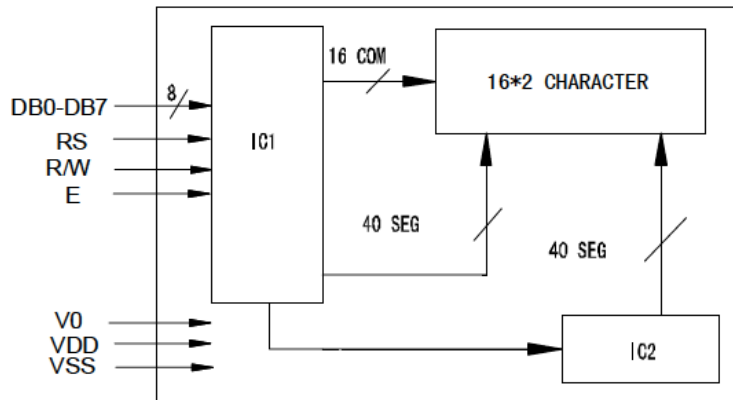
Character
Liquid Crystal Display

Phoenix Display International, Inc.

PRODUCT PREVIEW

16 Character x 2 Line

2.0 BLOCK DIAGRAM



5.0 PIN ASSIGNMENT

PIN No.	Symbol	PIN No.	Symbol
1	VSS	9	DB2
2	VDD	10	DB3
3	V0	11	DB4
4	RS	12	DB5
5	R/W	13	DB6
6	E	14	DB7
7	DB0	15	NC
8	DB1	16	NC

