

TN/STN

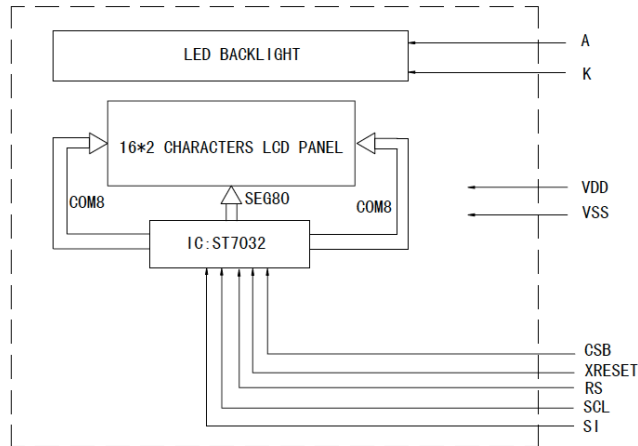
Character
Liquid Crystal Display

Phoenix Display International, Inc.

PRODUCT PREVIEW

16 Character x 2 Line

2.0 BLOCK DIAGRAM



5.0 PIN ASSIGNMENT

PIN No.	Symbol
1	XRESET
2	RS
3	CSB
4	SCL
5	SI
6	VSS
7	VDD
8	VOUT
9	CAP1P
10	CAP1N

