



# PRODUCT PREVIEW

## 1.77" 128 X 160 TFT

### Small Size TFT

The PDI018A0P-S13 is a small-size 1.77" TFT with 128 x 160 resolution. All our color display products can be modified to be sunlight-readable, and touch panels can added or removed upon request (there may or may not be tooling associated with sunlight readability or touch-panel changes).

### Product Application(s)

The products usage:

- Testing and Measurement
- Hand Held Mobile
- Communication
- Military
- Consumer Device

## SPECIFICATIONS

### MODULE

Part Number	PDI018A0P-S13
Overall Dimensions	46.70mm x 34.70mm x 2.55mm
Power Supply	2.8V
Backlight System	2-LED White Color
Display Type	a-Si TFT, Transmissive
Format	128 (RGB) x 160
Colors	262K
Display Mode	Positive
Active Area	35.04mm x 28.03mm
Pixel Pitch	0.129mm x 0.219mm
View Cone	45(T) / 45(B) / 45(L) / 20(R) degree
Contrast Ratio	250:1
Operating Temperature	-20°C to 70°C
Response Time	30ms
Interface	8080 MPU 8bit interface
Brightness	170 nits
NTSC	





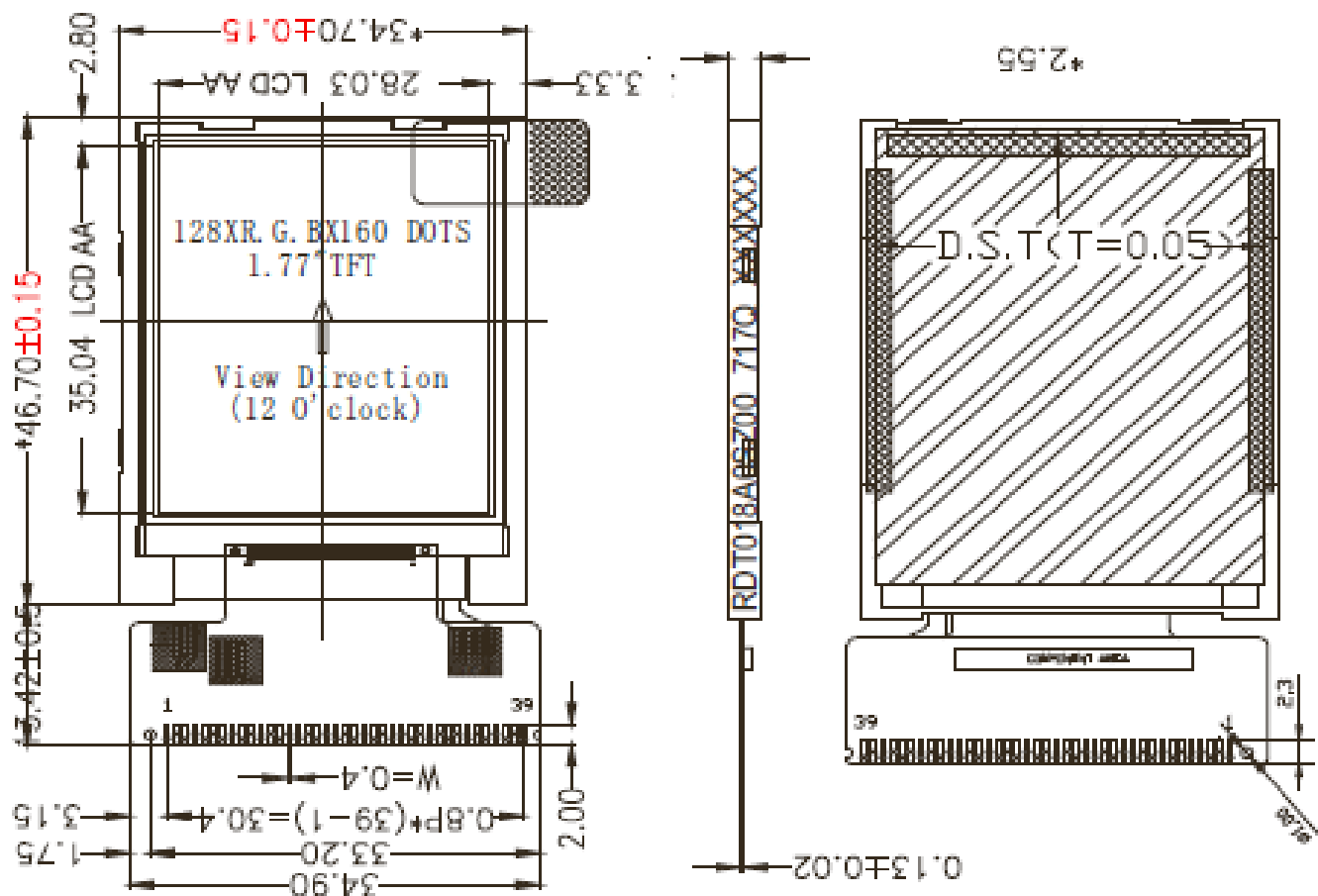
*Phoenix Display International, Inc.*

# PRODUCT PREVIEW

## 1.77" 128 X 160 TFT

# TFT

Liquid Crystal Display



Phoenix Display International reserves the right to change this document without prior notice and disclaims all warranties. It is the recipient's duty to confirm with PDI before proceeding with a design. This document is PDI confidential and should not be reproduced without PDI approval.



Phoenix Display International, Inc.  
www.phoenixdisplay.com sales@phoenixdisplay.com  
Tel: (630) 359-5700