



*Phoenix Display International, Inc.*

**TFT**

Liquid Crystal Display

# PRODUCT PREVIEW

## 1.44" 128 X 128 TFT

### Small Size TFT

The PDI0144011CPIL is a small-size 1.44" TFT with 128 x 128 resolution. All our color display products can be modified to be sunlight-readable, and touch panels can added or removed upon request (there may or may not be tooling associated with sunlight readability or touch-panel changes).

### Product Application(s)

The products usage:

- Testing and Measurement
- Hand Held Mobile
- Communication
- Military
- Consumer Device

## SPECIFICATIONS

### MODULE

Part Number	PDI0144011CPIL
Overall Dimensions	34.4mm x 30.3mm x 3.4mm
Power Supply	2.8V
Backlight System	1-LED White Color
Display Type	a-Si TFT, Transmissive
Format	128 (RGB) x 128
Colors	262K
Display Mode	Normally White
Active Area	25.5mm x 26.5mm
Pixel Pitch	0.1992mm x 0.207mm
View Cone	
Contrast Ratio	
Operating Temperature	-20°C to 70°C
Response Time	
Interface	8 bit 8080 system parallel
Brightness	<200 nits
NTSC	

Phoenix Display International reserves the right to change this document without prior notice and disclaims all warranties. It is the recipient's duty to confirm with PDI before proceeding with a design. This document is PDI confidential and should not be reproduced without PDI approval.



Phoenix Display International, Inc.

[www.phoenixdisplay.com](http://www.phoenixdisplay.com) [sales@phoenixdisplay.com](mailto:sales@phoenixdisplay.com)

Tel: (630) 359-5700



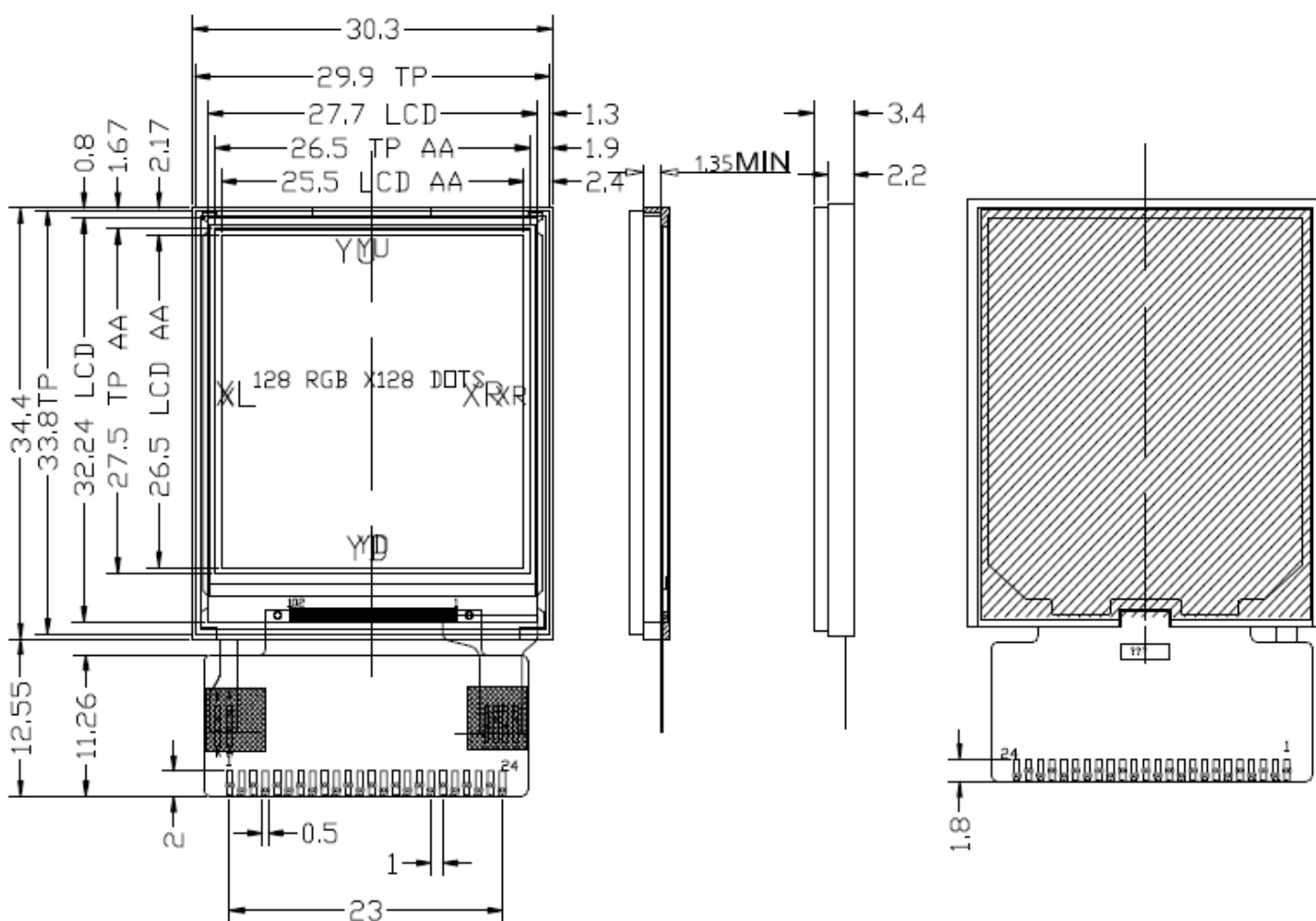
*Phoenix Display International, Inc.*

# PRODUCT PREVIEW

## 1.44" 128 X 128 TFT

# TFT

Liquid Crystal Display



Phoenix Display International reserves the right to change this document without prior notice and disclaims all warranties. It is the recipient's duty to confirm with PDI before proceeding with a design. This document is PDI confidential and should not be reproduced without PDI approval.



Phoenix Display International, Inc.

[www.phoenixdisplay.com](http://www.phoenixdisplay.com) [sales@phoenixdisplay.com](mailto:sales@phoenixdisplay.com)

Tel: (630) 359-5700