



# PRODUCT PREVIEW

## 4.3" 480 X 272 TFT

### Small Size TFT

The PDI430CQIL-01 is a small-size 4.3" TFT with 480 x 272 resolution. All our color display products can be modified to be sunlight-readable, and touch panels can added or removed upon request (there may or may not be tooling associated with sunlight readability or touch-panel changes).

### Product Application(s)

The products usage:

- Testing and Measurement
- Industrial
- Military
- Communication
- Consumer Devices
- Hand Held Mobile
- Medical

## SPECIFICATIONS

### MODULE

Part Number	PDI430CQIL-01
Overall Dimensions	105.5mm x 67.2mm x 2.9mm
Power Supply	3.3V
Backlight System	LED
Display Type	a-Si TFT, Transmissive
Format	480 (RGB) x 272
Colors	
Display Mode	Normaelly White
Active Area	95.040mm x 53.856mm
Pixel Pitch	0.198mm x 0.198mm
View Cone	60(T) / 80(B) / 80(L) / 80(R) degree
Contrast Ratio	700:1
Operating Temperature	-20°C to 70°C
Response Time	10ms (Rise) / 10ms (Fall)
Interface	Digital
Brightness	1000 nits
NTSC	





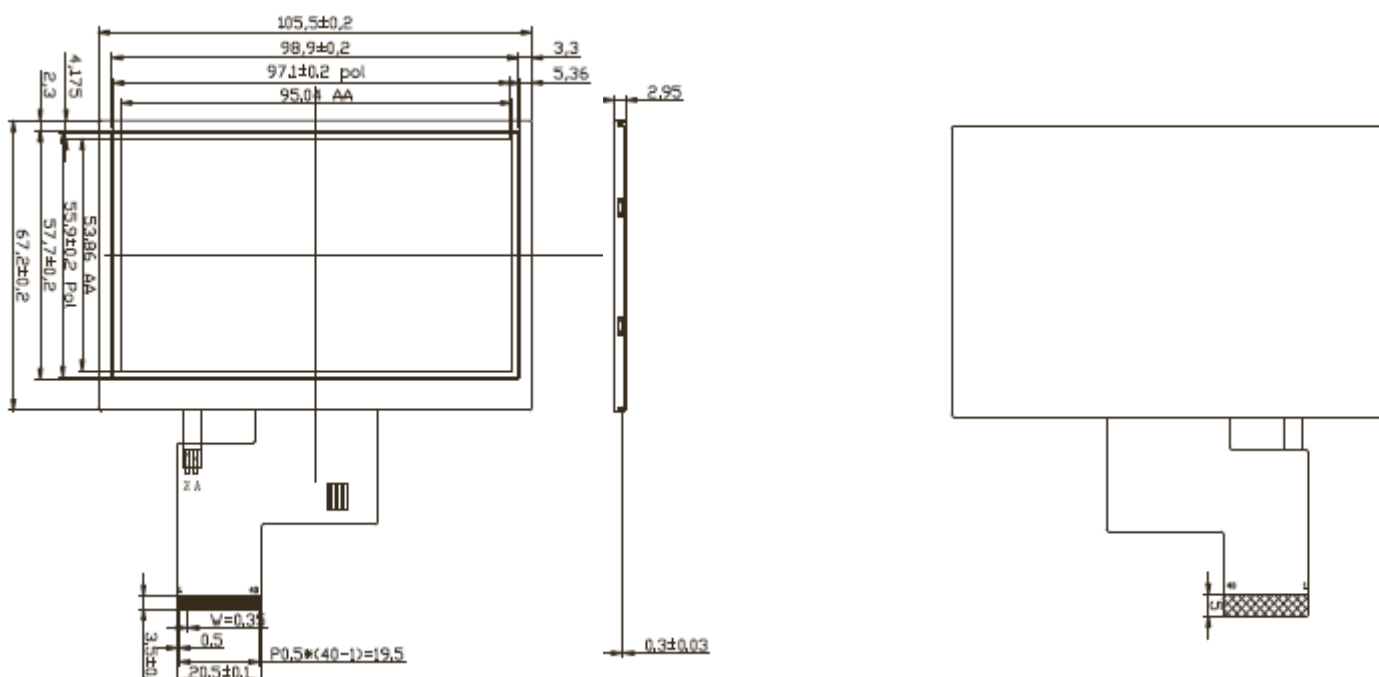
*Phoenix Display International, Inc.*

# PRODUCT PREVIEW

## 4.3" 480 X 272 TFT

# TFT

Liquid Crystal Display



Phoenix Display International reserves the right to change this document without prior notice and disclaims all warranties. It is the recipient's duty to confirm with PDI before proceeding with a design. This document is PDI confidential and should not be reproduced without PDI approval.



Phoenix Display International, Inc.

[www.phoenixdisplay.com](http://www.phoenixdisplay.com) [sales@phoenixdisplay.com](mailto:sales@phoenixdisplay.com)

Tel: (630) 359-5700