



*Phoenix Display International, Inc.*

# PRODUCT PREVIEW

## 3.8" 320 X 240 Monochrome

# TN/STN

Graphics  
Liquid Crystal Display

### Small Size Graphics

The PDIG-32024005T(R)-VB is Monochrome with a 320 x 240 resolution. All our graphic displays products can be modified to add touch panels or removed upon request (there may or may not be tooling associated with touch-panel changes).

### Product Application(s)

The products usage:

- Testing and Measurement
- Hand Held Mobile
- Communication
- Military
- Consumer Devices
- Industrial
- Medical

## SPECIFICATIONS

### MODULE

Part Number	PDIG-32024005T(R)-VB
Overall Dimensions	92.2mm x 73.3mm x 7.8mm
Power Supply	3.3V
Backlight System	EL, White
Display Type	FSTN, Positive, High-Transflective
Format	320 x 240
Active Area	76.785mm x 57.177mm
Dot Size	0.225mm x 0.2233mm
Pixel Pitch	0.015mm x 0.015mm
Operating Temperature	-20°C to 70°C
Driver Attach	TAB
Brightness	
Controller	IST3031,IST30332





*Phoenix Display International, Inc.*

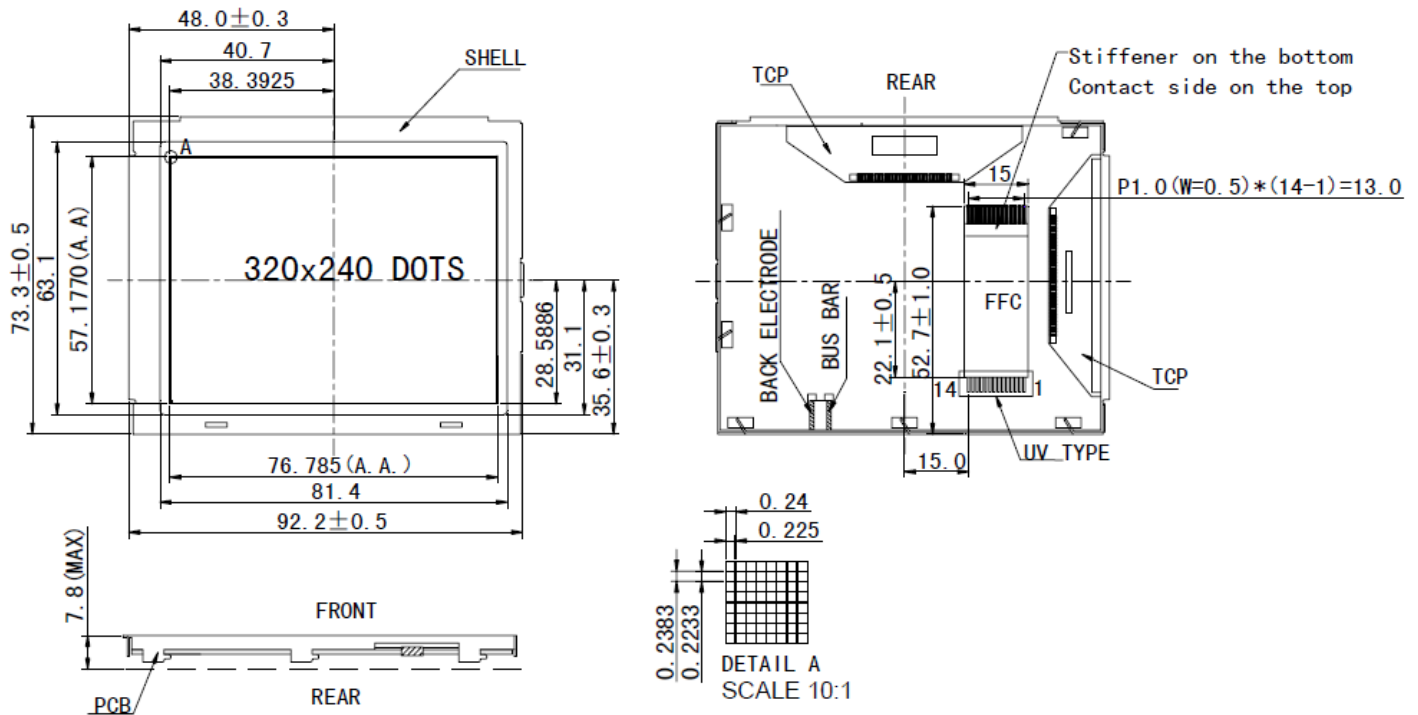
# PRODUCT PREVIEW

## 3.8" 320 X 240 Monochrome

# TN/STN

Graphics  
Liquid Crystal Display

### DIMENSIONAL DRAWING



Phoenix Display International reserves the right to change this document without prior notice and disclaims all warranties. It is the recipient's duty to confirm with PDI before proceeding with a design. This document is PDI confidential and should not be reproduced without PDI approval.



Phoenix Display International, Inc.  
www.phoenixdisplay.com sales@phoenixdisplay.com  
Tel: (630) 359-5700



*Phoenix Display International, Inc.*

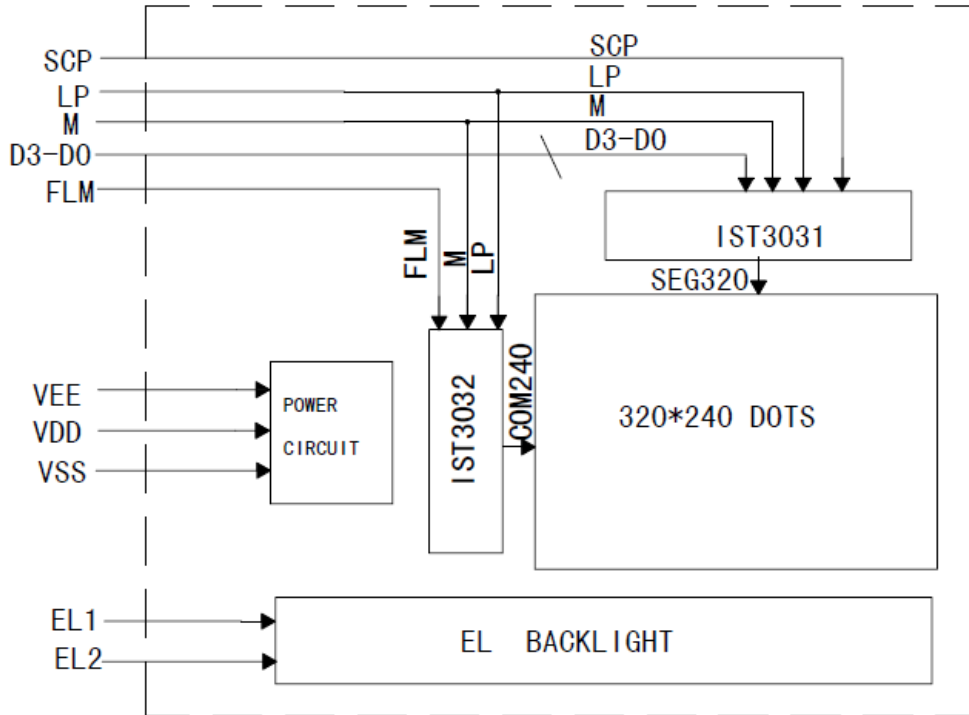
# PRODUCT PREVIEW

## 3.8" 320 X 240 Monochrome

# TN/STN

Graphics  
Liquid Crystal Display

### PIN ASSIGNMENT



PIN	SYMBOL
1	SCP
2	LP
3	FLM
4	M
5	DB3
6	DB2
7	DB1
8	DB0
9	VEE
10	VDD
11	VSS
12	NC
13	EL1
14	EL2

Phoenix Display International reserves the right to change this document without prior notice and disclaims all warranties. It is the recipient's duty to confirm with PDI before proceeding with a design. This document is PDI confidential and should not be reproduced without PDI approval.

