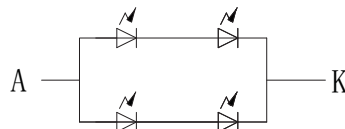
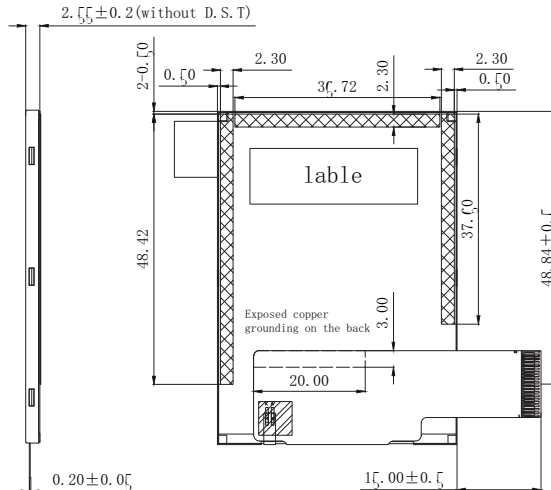
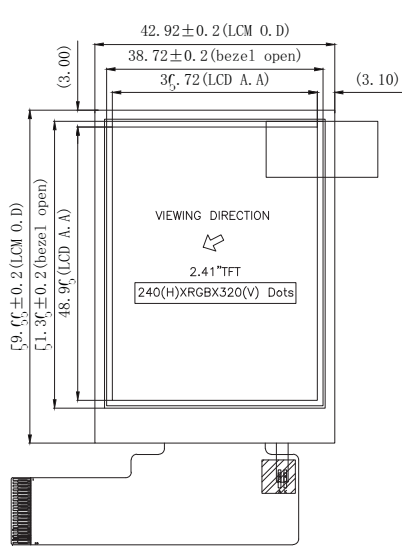


LCM PIN Definition

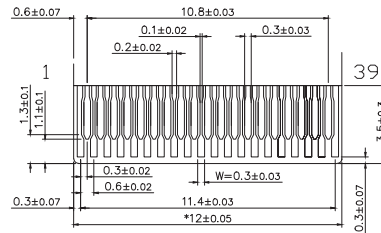
1	VSS
2	VSS
3	VCI
4	IOVCC
5	VSS
6	RESET
7	CS
8	RS/SPI_SCL
9	WR/SPI4_RS
10	SPI_SDA
11-28	DB0-DB17
29	IM0
30	IM1
31	IM2
32	RD
33-36	NC
37	TE
38	BLH/A
39	BLL/K

IM2	IM1	IM0	Interface	Data Pin
0	0	0	MCU8-bit	DB[8:0]
0	0	1	MCU16-bit	DB[15:0]
0	1	1	MCU18-BIT	DB[17:0]
1	0	1	3-line SPI	SDAin/out
1	1	0	4-line SPI	SDAin/out

LCD Type	2.4" TFT, Transflective, Normally white, TN
Resolution	240(RGB)*320
View Direction	2 O'CLOCK
Driver IC	ST7789V
Color Depth	65K/262K
Interface Types	SPI3/SPI4/MCU8/16/18BIT
Operating voltage	2.8V
TP/Lens	Without
Backlight LEDs	4 LEDs, 40mA, 6V
Surface luminance	TBD. cd/m2
Operating temperature	-20 °C ~ 70 °C
Storage Temperature	-30 °C ~ 80 °C
Storage Humidity	0 °C 90% max



CURRENT: IF=20*2=40mA, 0V (REF.)



Detail A
Scale 4:1

CONNECTOR: HRS FH23-39S-0.3SHW

Need to pay attention to		the key size with *								
版本 (Version)	变更记录 (Change History)	日期 (Date)	视角 (View):	比例 (Proportion):	1 : 1	设计 (DESIGN)	审核 (AUDITING)	批准 (APPROVED)		
V1	全新设计	2018.10.27	单位 (Unit):	MM	页面 (Page):	1 / 1				
V2	改为SPI和MCU兼容的接口	2018.10.31	产品型号 (Product Type):	TST024QVTS-25		Aron				
V3			图纸版本 (Version):	V2		2018.10.31				