



PHOENIX DISPLAY INTERNATIONAL, INC.

PHOENIX DISPLAY INTERNATIONAL, INC

SPECIFICATION FOR LCD MODULE

CUSTOMER	
PART NUMBER	PDI024QVHI-17
DESCRIPTION	2.4" 240 * (RGB) * 320
VERSION	V1.0
ISSUE DATE	12-Jun-18

COMPANY ADDRESS:

Phoenix Display International, Inc.
6150 W. Gila Springs Place Unit 2
Chandler, AZ 85226
USA
www.phoenixdisplay.com
(630) 359-5700 office
(630) 359-5701 fax

CONTENTS

1 GENERAL CHARACTERISTICS.....	- 3 -
2 PRODUCT DRAWINGS.....	- 4 -
3 INTERFACE DESCRIPTION.....	- 5 -
4 LCM INTERFACE TIMING.....	- 6 -
4.1 RESET TIMING.....	- 6 -
4.2 MCU READ/WRITE TIMING.....	- 6 -
5 ABSOLUTE MAXIMUM RATINGS.....	- 7 -
6 ELECTRICAL CHARACTERISTICS.....	- 7 -
7 BACKLIGHT CHARACTERISTICS.....	- 7 -
8 LCD OPTICAL SPECIFICATIONS.....	- 8 -
9 RELIABILITY TEST.....	- 10 -
9.1 OTHERS.....	- 10 -
10 SUGGESTIONS FOR USING LCD MODULES.....	- 11 -
10.1 HANDLING OF LCM.....	- 11 -
10.2 STORAGE.....	- 11 -

1 General Characteristics

ITEM	Specification	Unit
LCD Type	a-Si TFT, Transmissive, Normally black, IPS	-
LCD Size	2.4	inch
Resolution (W x H)	240 x (RGB) x 320	pixel
LCM (W x H x D)	42.72(W) x 60.26(H) x 2.3(D)	mm
Active Area (W x H)	36.72 (W) x 48.96 (H)	mm
Dot Pitch (W x H)	0.051 (W) x 0.153 (H)	mm
Viewing Direction	Free	-
Color Depth	65K/262K	-
Pixel Arrangement	RGB Vertical stripe	-
Backlight Type	4 LEDs	-
Surface Luminance	400	cd/m ²
Surface Treatment	Anti-glare	-
Driver IC	ILI9341V	-
Interface Type	MCU/SPI/SRI+RGB	-
Input Voltage	2.8	V
With/Without TP	without	-
Weight	TBD.	g

Note 1: RoHS compliant

Note 2: LCM weight tolerance: ± 5%.

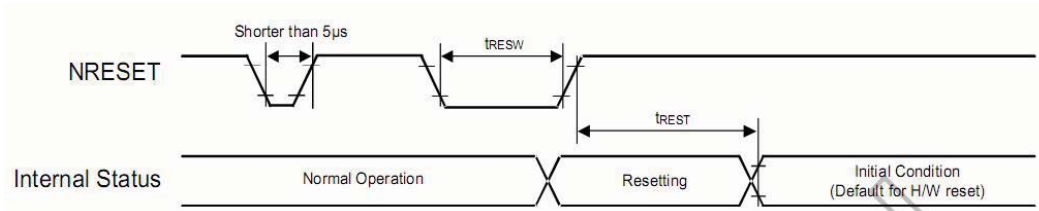
3 Interface description

PIN NO.	Symbol	description
1	NC	No Connect
2-5	IM0-IM3	Interface select
6	RESET	Reset input signal
7	VSYNC	Vertical sync signal
8	HSYNC	Horizontal sync signal
9	DOTCLK	Pixel clock
10	ENABLE	Data enable
11-28	DB17-DB0	Data BUS
29	SDO	Serial data output
30	SDI	Serial data input
31	RD	Read signal
32	RS/SCL	Data/Command selection pin
33	WR	Write signal
34	CS	Chip select signal
35	FMARK	Tearing effect output signal
36-37	VCC	Power supply +2.8V
38-39	GND	System Ground
40	LED-A	Backlight A Anode input pin
41	LED-K	Backlight K Cathode input pin
42	XR/NC	No Connect
43	YD/NC	No Connect
44	XL/NC	No Connect
45	YU/NC	No Connect

Note: "0"connect to GND; "1"connect to IOVCC.

4 LCM Interface Timing

4.1 Reset Timing

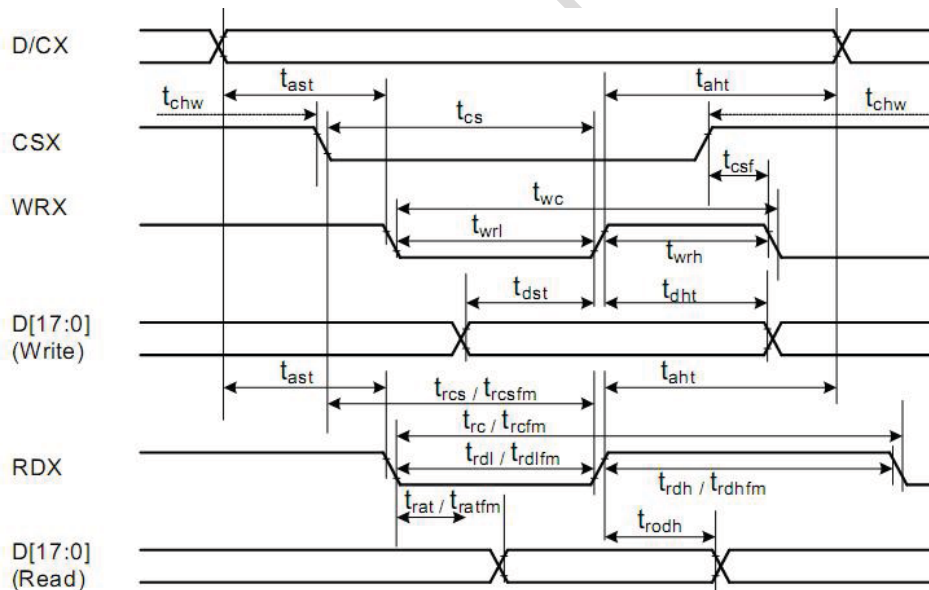


Signal	Symbol	Parameter	Min	Max	Unit
NRESET	tRESW	Reset low pulse width	10	-	us
	tREST	Reset complete time	5 (note 1)	-	ms
			120(note 2)	-	ms

Note: (1) When reset applied during SLPIN mode;

(2) When reset applied during SLPOUT mode.

4.2 MCU Read/Write Timing



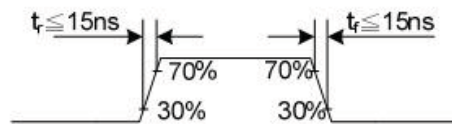
(VSSA=0V, VDD1=1.8V, VDD3=2.8V, TA=25°C)

Signal	Symbol	Parameter	Min.	Max.	Unit	Description
DCX	tAST	Address setup time	0	-	ns	-
	tAHT	Address hold time (Write/Read)	0	-		
CSX	tCS	Chip select setup time (Write)	15	-	ns	-
	tRCS	Chip select setup time (Read register)	45	-		
	tRCSFM	Chip select setup time (GRAM)	355	-		
	tCSF	Chip select wait time (Write/Read)	10	-		
WRX	tWC	Write cycle (write register)	66	-	ns	-

	tWRH	Control pulse "H" duration	15	-		
	tWRL	Control pulse "L" duration	15	-		
RDX	tRC	Read cycle (read register)	160	-	ns	-
	tRC	Read cycle (GRAM)	450	-		
	tRDH	Control pulse "H" duration	90	-		
	tRDL	Control pulse "L" duration(read register)	45	-		
	tRDL	Control pulse "L" duration(GRAM)	355	-		
DB[23:0]	tDST	Data setup time	10	-	ns	For maximum CL=30pF For minimum CL=8pF
	tDHT	Data hold time	10	-		
	tRAT	Read access time(read register)	-	40		
	tRAT	Read access time(GRAM)	-	340		
	tODH	Output disable time	20	80		

Note: The input signal rise time and fall time (t_r , t_f) is specified at 15 ns or less.

Logic high and low levels are specified as 30% and 70% of VDD1 for Input signals.



5 Absolute Maximum Ratings

PARAMETER	SYMBOL	MIN	MAX	UNIT
Supply Voltage (Analog)	VCC~GND	-0.3	3.3	V
Logic signal voltage(I/O)	IOVCC~GND	-0.3	3.3	V
Operating Temperature	TOP	-20	70	° C
Storage Temperature	TST	-30	80	° C
Humidity	RH	-	90%(Max 60° C)	RH

6 Electrical Characteristics

PARAMETER	SYMBOL	MIN	TYP	MAX	UNIT
Analog operating voltage	VCC	2.5	2.8	3.3	V
Logic operating voltage	IOVCC	1.65	1.8	3.3	V
Input Current	IDD	-	TBD	-	mA
Input Voltage ' H ' level	VIH	0.7IOVCC	-	IOVCC	V
Input Voltage ' L ' level	VIL	GND	-	0.3IOVCC	
Output Voltage ' H ' level	VOH	0.8IOVCC	-	IOVCC	
Output Voltage ' L ' level	VOL	GND	-	0.2IOVCC	

7 Backlight Characteristics

ITEM	SYMBOL	MIN	TYP	MAX	UNIT
Voltage for LED backlight	V_f	-	12	12.4	V
Current for LED backlight	I_f	-	20	-	mA
Power consumption	Wbl	-	240	-	mW

Uniformity	Avg	80	-	-	%
LED Life Time	-	30000	40000	-	Hrs

Note:

1. The LED life time is defined as the module brightness decrease to 50% original brightness at Ta=25°C, 60%RH ±5 %.
2. The life time of LED will be reduced if LED is driven by high current, high ambient temperature and humidity conditions.
3. Typical operating life time is an estimated data.
4. Permanent damage to the device may occur if maximum values are exceeded or reverse voltage is loaded. Functional operation should be restricted to the conditions described under normal operating conditions.

8 LCD Optical specifications

Item	Symbol	Condition	Specification			Unit	Remark
			Min.	Typ.	Max.		
Response time (By Quick)	Tr+Tf	$\theta = 0^\circ$	-	35	-	ms	Note 5
Contrast ratio	CR	$\theta = 0^\circ$	-	800	-		Note 2,6
Viewing angle	Top	$CR \geq 10$	-	80	-	Deg.	Note 2,6,7
	Bottom	$CR \geq 10$	-	80	-		
	Left	$CR \geq 10$	-	80	-		
	Right	$CR \geq 10$	-	80	-		
Color chromaticity (CF only with ITO, light source is C light, CIE 1931)	Wx	$\theta = 0^\circ$	0.290	0.310	0.330		Note 3
	Wy		0.316	0.336	0.356		
	Rx		0.627	0.647	0.667		
	Ry		0.297	0.317	0.337		
	Gx		0.255	0.275	0.295		
	Gy		0.562	0.582	0.602		
	Bx		0.120	0.140	0.160		
By	0.068	0.088	0.108				
NTSC				60%			Note 3
Transmittance (with Polarizer)	T(%)	$\theta = 0^\circ$	-	4.65	-	%	

Note 1: Ambient temperature = 25°C.

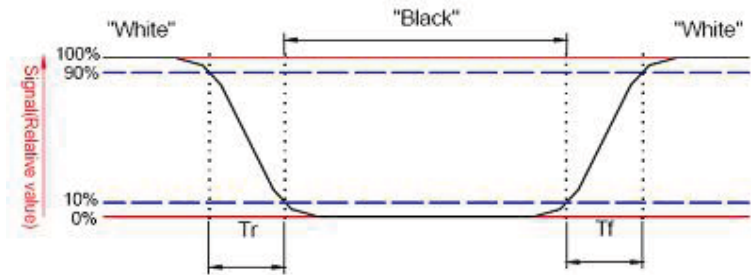
Note 2: To be measured with a viewing cone of 2° by Topcon luminance meter BM-5A.

Note 3: To be measured with Otsuta chromaticity meter LCF-2100M, CF only measure under C light simulation.

Note 4: CTC shipping status is cell without polarizer. Transmittance of Specification is cell with polarizer. The tolerance of Transmittance is ±10%.

Note 5: Definition of response time:

The output signals of TRD-100 are measured when the input signals are changed to “White” (falling time) and from “White” to “Black” (rising time), respectively. The interval is between the 10% and 90% of amplitudes. Refer to figure as below.

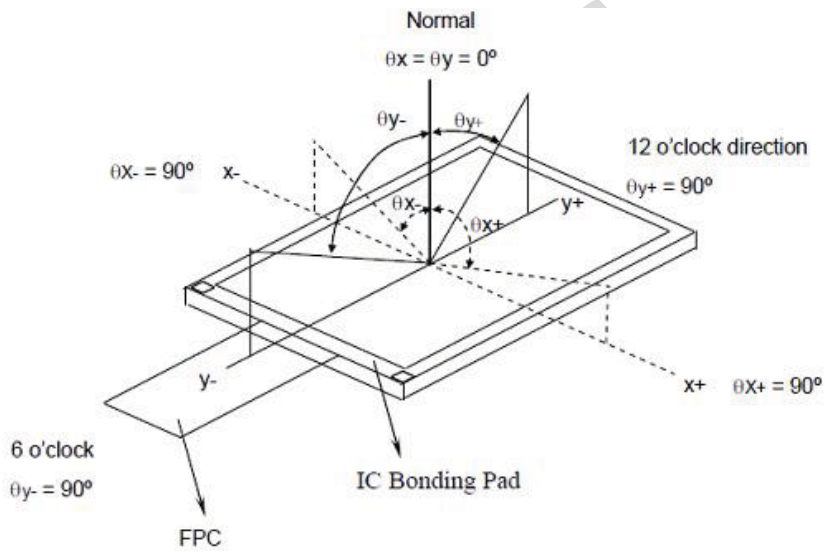


Note 6: Definition of contrast ratio:

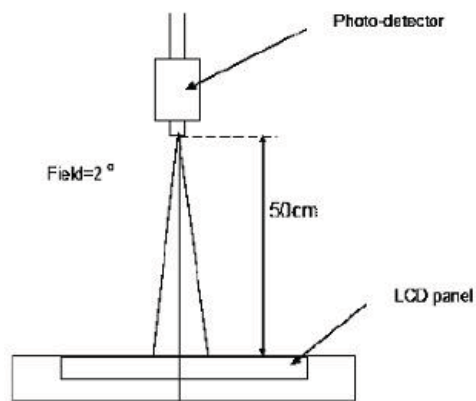
Contrast ratio is calculated by the following formula.

$$\text{Contrast ratio (CR)} = \frac{\text{Brightness on the "white" state}}{\text{Brightness on the "black" state}}$$

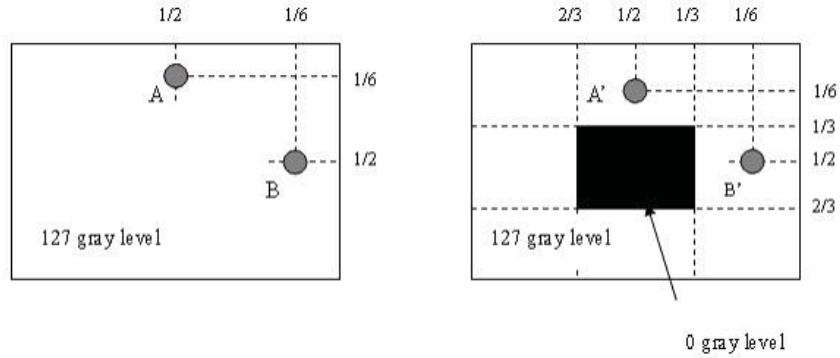
Note 7: Definition of viewing angle



Note 8: Optical characteristic measurement setup.



Note 9:



1 $LA-LA' / LA \times 100\% = 2\% \text{ max.}$, LA and LA' are brightness at location A and A'.

1 $LB-LB' / LB \times 100\% = 2\% \text{ max.}$, LB and LB' are brightness at location B and B'.

9 RELIABILITY TEST

NO.	TEST ITEM	TEST CONDITION	INSPECTION AFTER TEST
1	High Temperature Storage	$80 \pm 2^\circ\text{C}/96 \text{ hours}$	Inspection after 2~4 hours storage at room temperature and humidity. The condensation is not accepted. The sample shall be free from defects: 1. Air bubble in the LCD 2. Seal leak 3. Non-display 4. Missing segments 5. Glass crack
2	Low Temperature Storage	$-30 \pm 2^\circ\text{C}/96 \text{ hours}$	
3	High Temperature Operating	$70 \pm 2^\circ\text{C}/96 \text{ hours}$	
4	Low Temperature Operating	$-20 \pm 2^\circ\text{C}/96 \text{ hours}$	
5	Temperature Cycle	$-30 \pm 2^\circ\text{C} \sim 25 \sim 80 \pm 2^\circ\text{C} \times 10 \text{ cycles}$ (30 min.) (5min.) (30min.)	
6	Damp Proof Test	$60^\circ\text{C} \pm 5^\circ\text{C} \times 90\% \text{RH}/96 \text{ hours}$	
7	Vibration Test	Frequency 10Hz~55Hz Stroke: 1.5mm Sweep: 10Hz~150 Hz~10Hz 2 hours For each direction of X, Y, Z	
8	Shock Test	Half-sine, wave, 300m/s	
9	Packing Drop Test	Height: 80 cm 1 corner, concrete floor	
10	Electrostatic Discharge Test	C=150pF, R=330 Ω Air: $\pm 8\text{KV}$ 150pF/330 Ω 30 times Contact: $\pm 4\text{KV}$, 20 times	

9.1 Others

1. Issues that are not defined in this document shall be discussed and agreed with both parties. (Customer and supplier)
2. Unless otherwise agreed upon in writing, the criteria shall be applied to both parties. (Customer and supplier)

10 Suggestions for using LCD modules

10.1 Handling of LCM

1. The LCD screen is made of glass. Don't give excessive external shock, or drop from a high place.
2. If the LCD screen is damaged and the liquid crystal leaks out, do not lick and swallow. When the liquid is attach to your hand, skin, cloth etc, wash it off by using soap and water thoroughly and immediately.
3. Don't apply excessive force on the surface of the LCM.
4. If the surface is contaminated, clean it with soft cloth. If the LCM is severely contaminated, use Isopropyl alcohol/Ethyl alcohol to clean. Other solvents may damage the polarizer. The following solvents is especially prohibited: water , ketone Aromatic solvents etc.
5. Exercise care to minimize corrosion of the electrode. Corrosion of the electrodes is accelerated by water droplets, moisture condensation or a current flow in a high-humidity environment.
6. Install the LCD Module by using the mounting holes. When mounting the LCD module make sure it is free of twisting, warping and distortion. In particular, do not forcibly pull or bend the I/O cable or the backlight cable.
7. Don't disassemble the LCM.
8. To prevent destruction of the elements by static electricity, be careful to maintain an optimum work environment.
 - Be sure to ground the body when handling the LCD modules.
 - Tools required for assembling, such as soldering irons, must be properly grounded.
 - To reduce the amount of static electricity generated, do not conduct assembling and other work under dry conditions.
 - The LCD module is coated with a film to protect the display surface. Exercise care when peeling off this protective film since static electricity may be generated.
9. Do not alter, modify or change the the shape of the tab on the metal frame.
10. Do not make extra holes on the printed circuit board, modify its shape or change the positions of components to be attached.
11. Do not damage or modify the pattern writing on the printed circuit board.
12. Absolutely do not modify the zebra rubber strip (conductive rubber) or heat seal connector
13. Except for soldering the interface, do not make any alterations or modifications with a soldering iron.
14. Do not drop, bend or twist LCM.

10.2 Storage

1. Store in an ambient temperature of 5 to 45 °C, and in a relative humidity of 40% to 60%. Don't expose to sunlight or fluorescent light.
2. Storage in a clean environment, free from dust, active gas, and solvent.
3. Store in antistatic container.