

TN/STN

Character
Liquid Crystal Display

Phoenix Display International, Inc.

PRODUCT PREVIEW

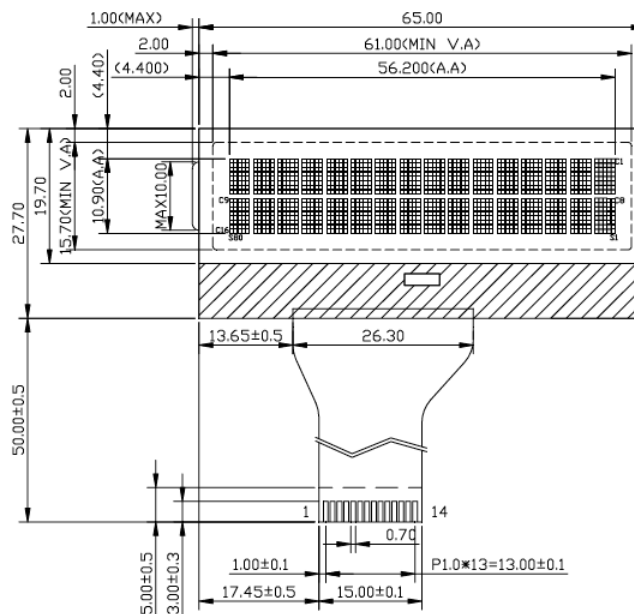
16 Character x 2 Line

SPECIFICATIONS

MODULE

Part Number	JYC-160251G-2
Format	16 Characters x 2 Line
Controller	SPLC782A1
Overall Dimensions	65.0mm x 27.7mm x 2.8mm
Active Area	56.2mm x 10.9mm
Character Size	2.95mm x 5.15mm
Pixel Size	550um x 600um
Backlight System	No
Driver Attach	Chip on Glass (COG)
Display Type	TN, STN, or FSTN

1.0 DIMENSIONAL DRAWING



TN/STN

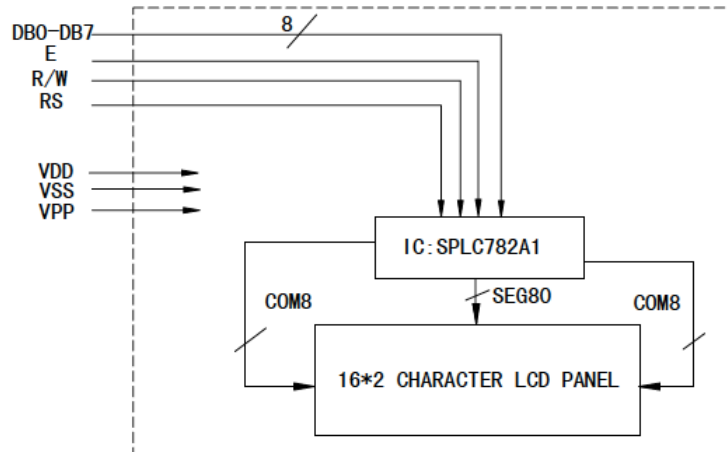
Character
Liquid Crystal Display

Phoenix Display International, Inc.

PRODUCT PREVIEW

16 Character x 2 Line

2.0 BLOCK DIAGRAM



5.0 PIN ASSIGNMENT

PIN No.	Symbol
1	VSS
2	VPP
3	VDD
4	RS
5	R/W
6	E
7-14	DB0-DB7

