

*Phoenix Display International, Inc.*

# PRODUCT PREVIEW

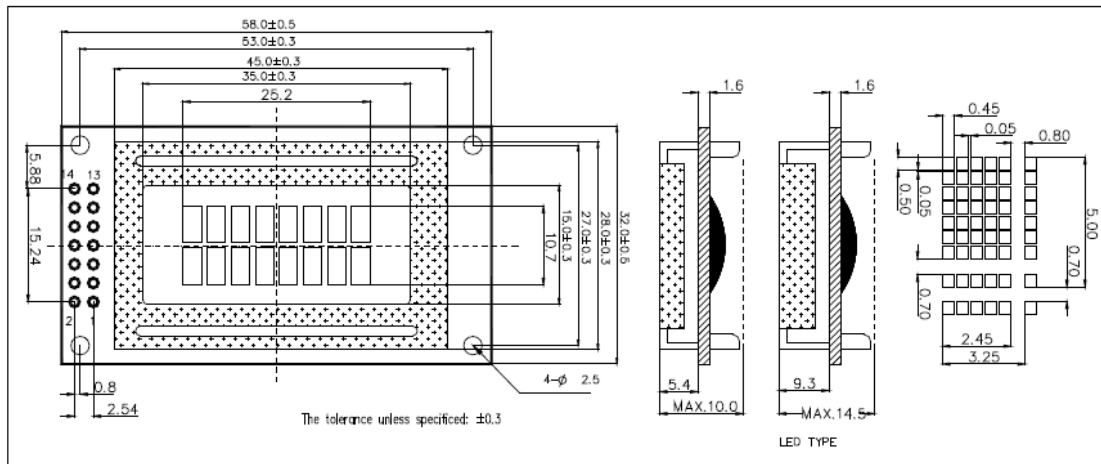
## 8 Character x 2 Line

### SPECIFICATIONS

#### MODULE

Part Number	C-080201-VA
Format	8 Characters x 2 Lines
Controller	KS0066
Overall Dimensions	58.0mm x 32.0mm x 10.0/14.5mm
Active Area	25.2mm x 10.7mm
Character Size	2.5mm x 5.0mm
Pixel Size	450um x 500um
Backlight System	None or LED
Driver Attach	Chip on Board (COB)
Display Type	TN, STN, or FSTN
Duty	1/16
Bias	1/5

#### 1.0 DIMENSIONAL DRAWING

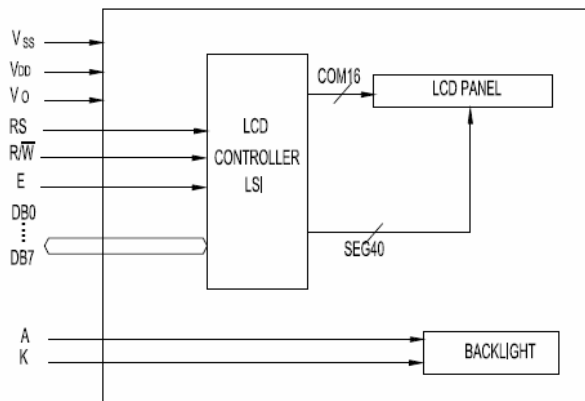


*Phoenix Display International, Inc.*

# PRODUCT PREVIEW

## 8 Character x 2 Line

### 2.0 BLOCK DIAGRAM



### 3.0 PIN ASSIGNMENT

Pin no.	Symbol	Function
1	V <sub>SS</sub>	Power supply (GND)
2	V <sub>DD</sub>	Power supply(+)
3	V <sub>O</sub>	Contrast adjust
4	RS	Register select signal
5	R / $\bar{W}$	Data read / write
6	E	Enable signal
7   14	DB0   DB7	Data bus line

### 4.0 ELECTRICAL CHARACTERISTICS Ta=25 °C V<sub>DD</sub>=5.0V±0.25V

Item	Symbol	Test Condition	Standard Value			Unit	
			Min.	Typ.	Max.		
Power Supply Voltage	V <sub>DD</sub> -V <sub>SS</sub>	25°C	4.75	5.0	5.25	V	
LCD Operation Voltage	V <sub>OP</sub>	25°C	TN	-	4.5	-	V
			STN	-	5.0	-	V
LCM Current Consumption	I <sub>DD</sub>	25°C	-	2	3	mA	
Backlight Forward Voltage	V <sub>F</sub>		-	4.2	4.25	V	

### 5.0 ABSOLUTE MAXIMUM RATINGS

Item	Symbol	Test Condition	Standard Value		Unit
			Min.	Max.	
Supply Voltage (Logic)	V <sub>DD</sub> -V <sub>SS</sub>	25°C	-0.3	7	V
Supply Voltage (LCD)	V <sub>DD</sub> -V <sub>O</sub>		V <sub>DD</sub> -13.5	V <sub>DD</sub> +0.3	V
Input Voltage	V <sub>IN</sub>		-0.3	V <sub>DD</sub> +0.3	V
Operating Temp.	T <sub>OPR</sub>	-	0	50	°C
Storage Temp.	T <sub>STG</sub>	-	-10	60	°C

