

# TN/STN

Character  
Liquid Crystal Display

Phoenix Display International, Inc.

## PRODUCT PREVIEW

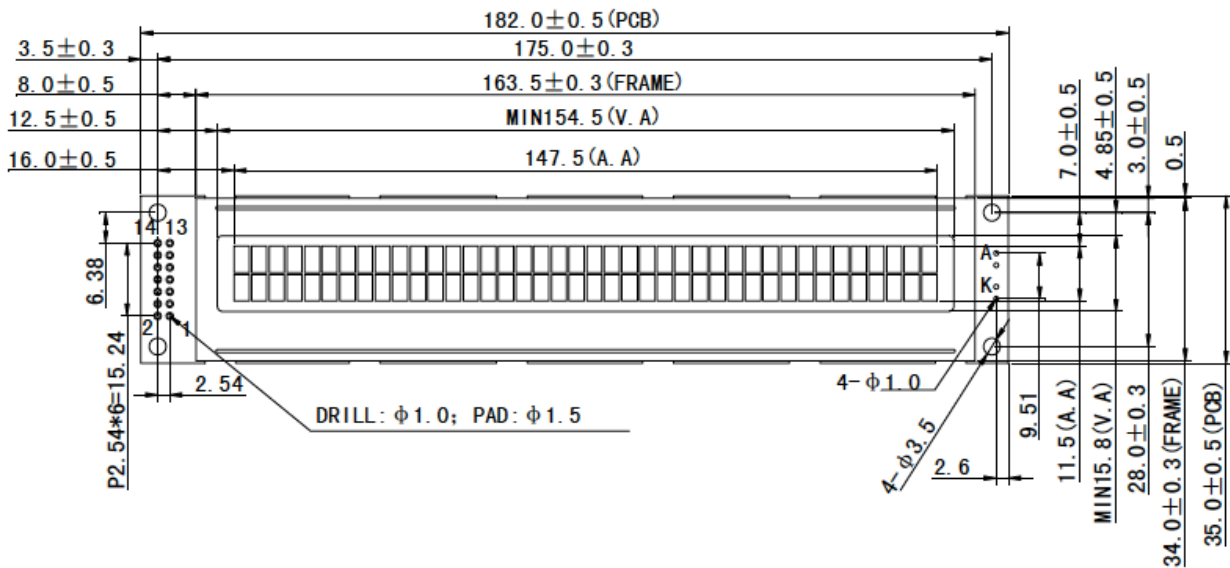
### 40 Character x 2 Line

## SPECIFICATIONS

### MODULE

Part Number	JYC-400201C
Format	40 Characters x 2 Line
Controller	SPLC780D
Overall Dimensions	182.0mm x 35.0mm x 14.5mm
Active Area	147.5mm x 11.5mm
Character Size	3.2mm x 5.5mm
Pixel Size	600um x 650um
Backlight System	LED
Driver Attach	Chip on Board (COB)
Display Type	TN, STN, or FSTN

### 1.0 DIMENSIONAL DRAWING



Phoenix Display International reserves the right to change this document without prior notice and disclaims all warranties. It is the recipient's duty to confirm with PDI before proceeding with a design. This document is PDI confidential and should not be reproduced without PDI approval.



Phoenix Display International, Inc.  
www.phoenixdisplay.com sales@phoenixdisplay.com  
Tel: (630) 359-5700 or (480) 775-6315

# TN/STN

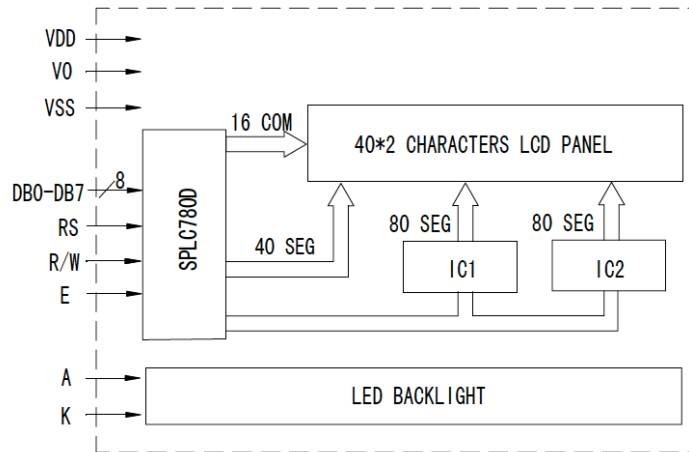
Character  
Liquid Crystal Display

*Phoenix Display International, Inc.*

## PRODUCT PREVIEW

### 40 Character x 2 Line

#### 2.0 BLOCK DIAGRAM



#### 5.0 PIN ASSIGNMENT

PIN No.	Symbol
1	VSS
2	VDD
3	V0
4	RS
5	R/W
6	E
7-14	DB0-DB7

