

# TN/STN

Character  
Liquid Crystal Display

***Phoenix Display International, Inc.***

## PRODUCT PREVIEW

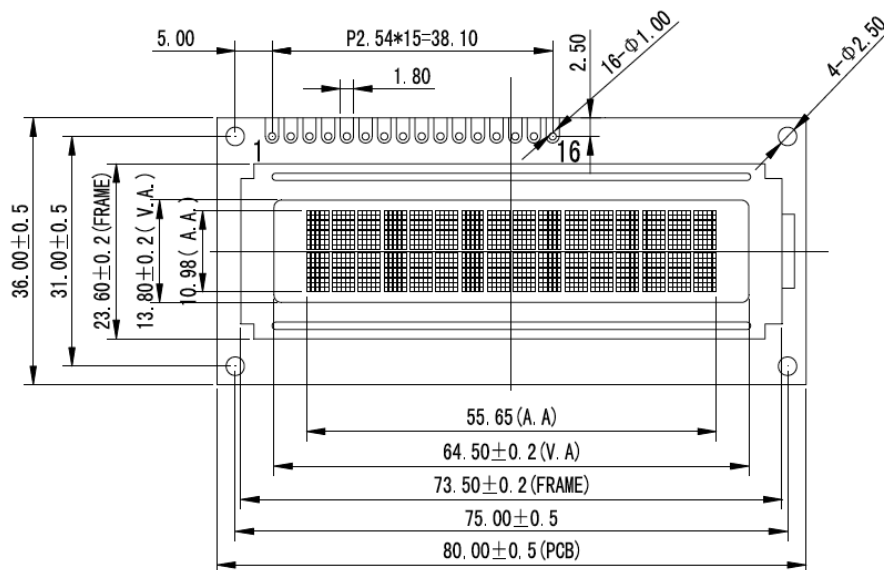
### 16 Character x 2 Line

## SPECIFICATIONS

### MODULE

|                    |                          |
|--------------------|--------------------------|
| Part Number        | JYC-160248C              |
| Format             | 16 Characters x 2 Line   |
| Controller         | SPLC780D1                |
| Overall Dimensions | 80.0mm x 36.0mm x 13.6mm |
| Active Area        | 55.65mm x 10.98mm        |
| Character Size     | 3.0mm x 5.23mm           |
| Pixel Size         | 560um x 610um            |
| Backlight System   | LED                      |
| Driver Attach      | Chip on Board (COB)      |
| Display Type       | TN, STN, or FSTN         |

### 1.0 DIMENSIONAL DRAWING



Phoenix Display International reserves the right to change this document without prior notice and disclaims all warranties. It is the recipient's duty to confirm with PDI before proceeding with a design. This document is PDI confidential and should not be reproduced without PDI approval.



Phoenix Display International, Inc.  
www.phoenixdisplay.com sales@phoenixdisplay.com  
Tel: (630) 359-5700 or (480) 775-6315

# TN/STN

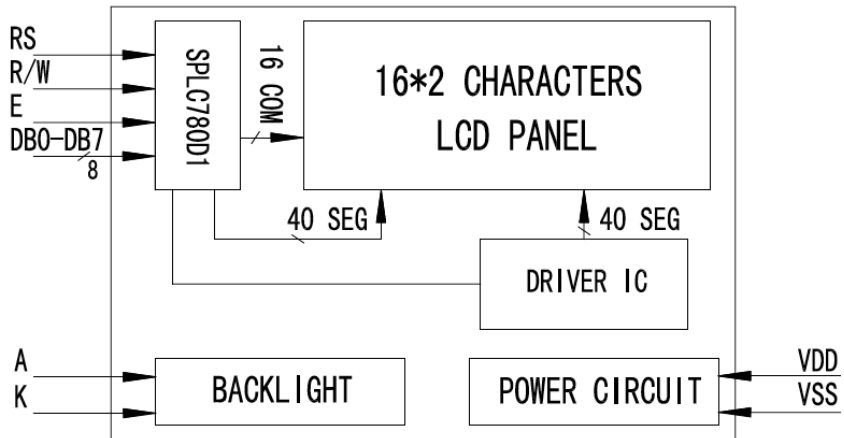
Character  
Liquid Crystal Display

Phoenix Display International, Inc.

## PRODUCT PREVIEW

### 16 Character x 2 Line

#### 2.0 BLOCK DIAGRAM



#### 5.0 PIN ASSIGNMENT

| PIN No. | Symbol  |
|---------|---------|
| 1       | VSS     |
| 2       | VDD     |
| 3       | V0      |
| 4       | RS      |
| 5       | R/W     |
| 6       | E       |
| 7-14    | DB0-DB7 |
| 15      | A       |
| 16      | K       |

