

# TN/STN

Character  
Liquid Crystal Display

Phoenix Display International, Inc.

## PRODUCT PREVIEW

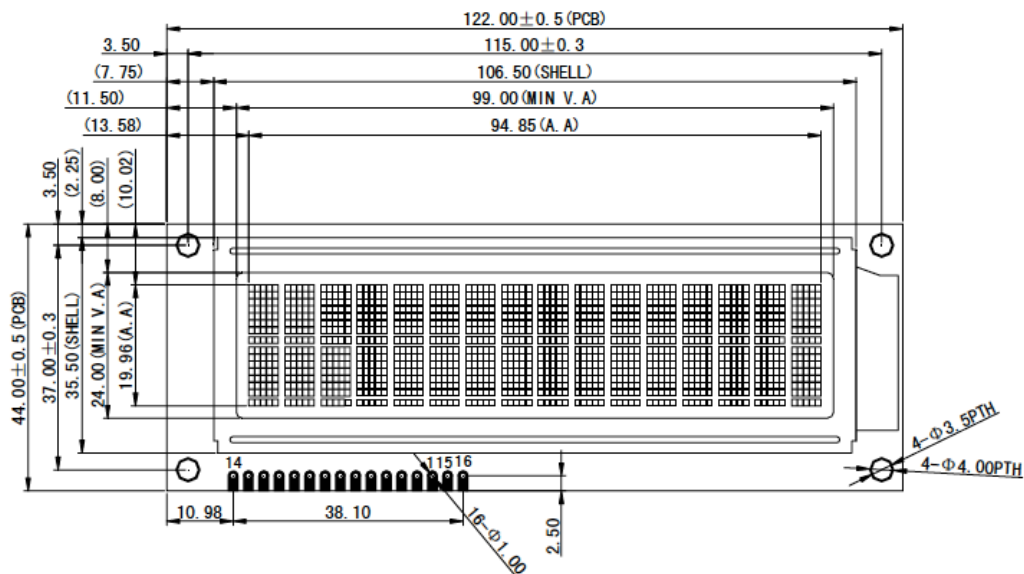
### 16 Character x 2 Line

## SPECIFICATIONS

### MODULE

Part Number	JYC-160261C
Format	16 Characters x 2 Line
Controller	IC1
Overall Dimensions	122.0mm x 44.0mm x 14.0mm
Active Area	94.85mm x 19.96mm
Character Size	4.85mm x 9.69mm
Pixel Size	930um x 1100um
Backlight System	LED
Driver Attach	Chip on Board (COB)
Display Type	TN, STN, or FSTN

### 1.0 DIMENSIONAL DRAWING



Phoenix Display International reserves the right to change this document without prior notice and disclaims all warranties. It is the recipient's duty to confirm with PDI before proceeding with a design. This document is PDI confidential and should not be reproduced without PDI approval.



Phoenix Display International, Inc.  
[www.phoenixdisplay.com](http://www.phoenixdisplay.com) [sales@phoenixdisplay.com](mailto:sales@phoenixdisplay.com)  
Tel: (630) 359-5700 or (480) 775-6315

# TN/STN

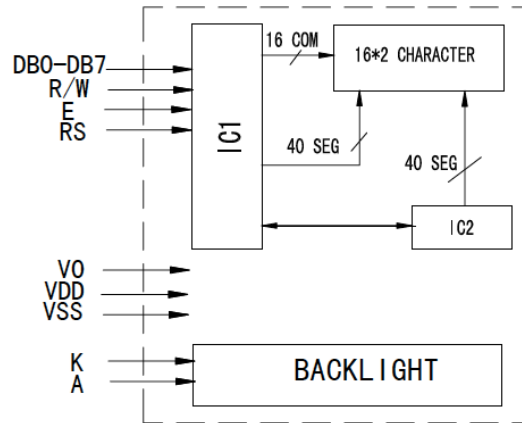
Character  
Liquid Crystal Display

Phoenix Display International, Inc.

## PRODUCT PREVIEW

### 16 Character x 2 Line

#### 2.0 BLOCK DIAGRAM



#### 5.0 PIN ASSIGNMENT

PIN No.	Symbol
1	VSS
2	VDD
3	V0
4	RS
5	R/W
6	E
7-14	DB0-DB7
15	A
16	K

