

# TN/STN

Character  
Liquid Crystal Display

Phoenix Display International, Inc.

## PRODUCT PREVIEW

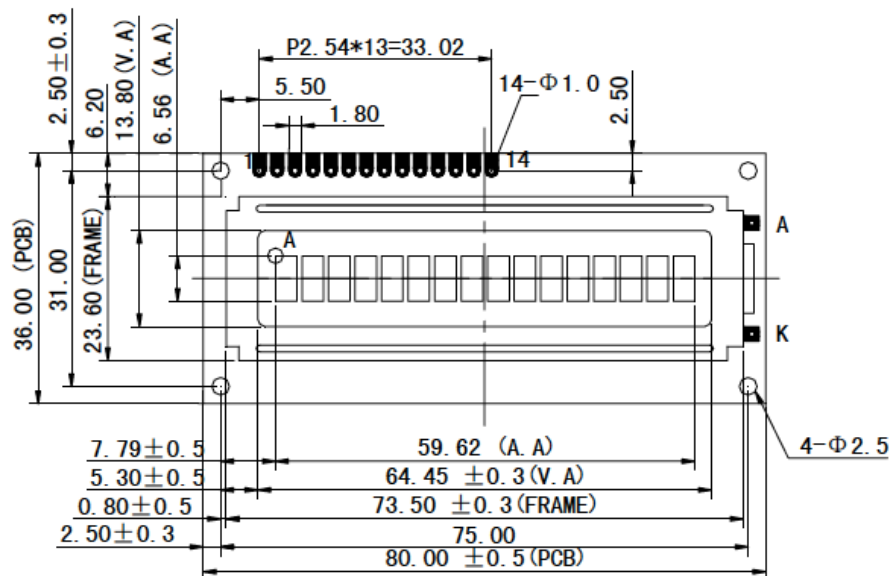
### 16 Character x 1 Line

## SPECIFICATIONS

### MODULE

Part Number	JYC-160118C
Format	16 Characters x 1 Line
Controller	SPLC780D
Overall Dimensions	80.0mm x 36.0mm x 14.5mm
Active Area	59.62mm x 6.56mm
Character Size	3.07mm x 6.56mm
Pixel Size	550um x 750um
Backlight System	LED
Driver Attach	Chip on Board (COB)
Display Type	TN, STN, or FSTN

### 1.0 DIMENSIONAL DRAWING



# TN/STN

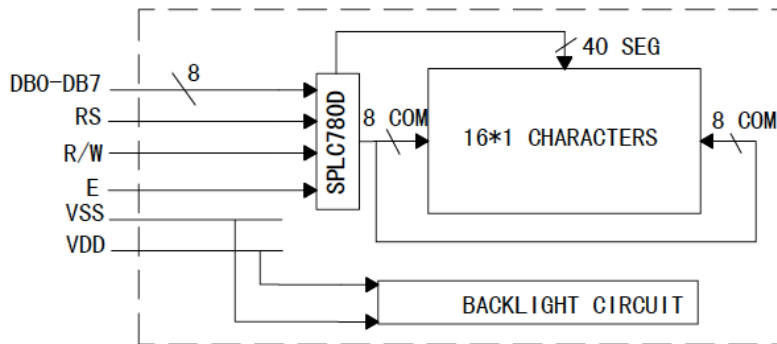
Character  
Liquid Crystal Display

Phoenix Display International, Inc.

## PRODUCT PREVIEW

### 16 Character x 1 Line

#### 2.0 BLOCK DIAGRAM



#### 5.0 PIN ASSIGNMENT

PIN No.	Symbol	PIN No.	Symbol
1	VSS	8	DB1
2	VDD	9	DB2
3	V0	10	DB3
4	RS	11	DB4
5	R/W	12	DB5
6	E	13	DB6
7	DB0	14	DB7

