

# TN/STN

Character  
Liquid Crystal Display

Phoenix Display International, Inc.

## PRODUCT PREVIEW

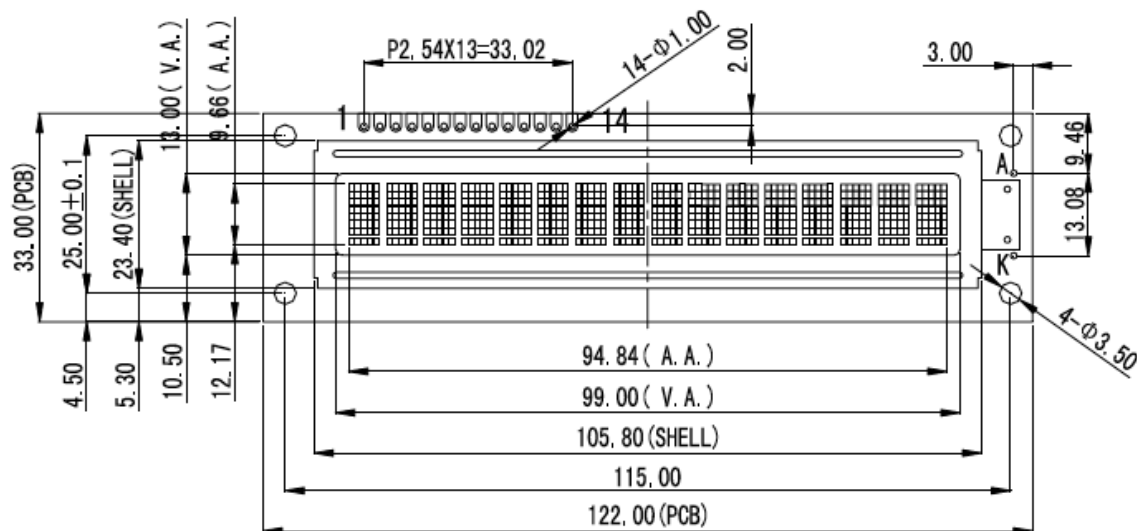
### 16 Character x 1 Line

## SPECIFICATIONS

### MODULE

Part Number	JYC-160117C
Format	16 Characters x 1 Line
Controller	SPLC780D1
Overall Dimensions	122.0mm x 33.0mm x 13.4mm
Active Area	94.84mm x 9.6mm
Character Size	4.84mm x 8.06mm
Pixel Size	920um x 1100um
Backlight System	LED or None
Driver Attach	Chip on Board (COB)
Display Type	TN, STN, or FSTN

### 1.0 DIMENSIONAL DRAWING



# TN/STN

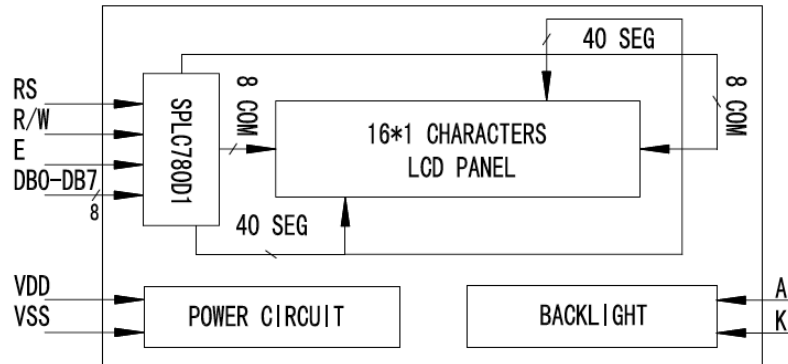
Character  
Liquid Crystal Display

Phoenix Display International, Inc.

## PRODUCT PREVIEW

### 16 Character x 1 Line

#### 2.0 BLOCK DIAGRAM



#### 5.0 PIN ASSIGNMENT

PIN No.	Symbol
1	VSS
2	VDD
3	V0
4	RS
5	R/W
6	E
7-14	DB0-DB7

