



# TN/STN

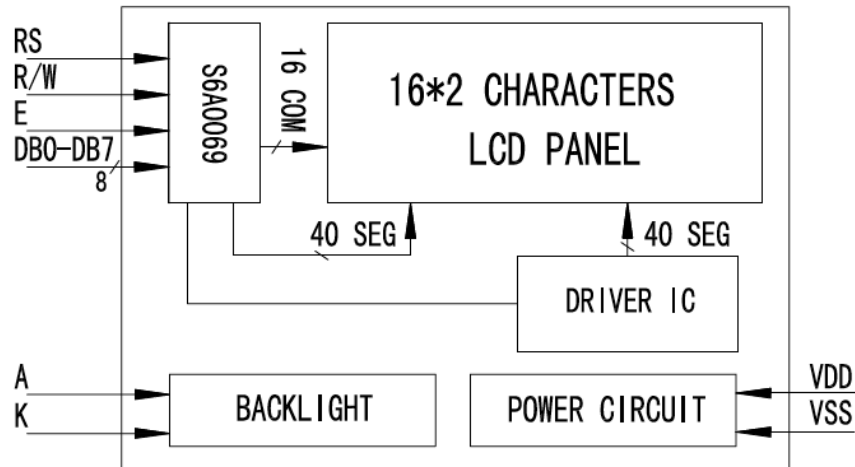
Character  
Liquid Crystal Display

*Phoenix Display International, Inc.*

## PRODUCT PREVIEW

### 16 Character x 2 Line

#### 2.0 BLOCK DIAGRAM



#### 5.0 PIN ASSIGNMENT

PIN No.	Symbol
1	VSS
2	VDD
3	V0
4	RS
5	R/W
6	E
7-14	DB0-DB7
15	A
16	K
17	NC
18	NC

