

TN/STN

Character
Liquid Crystal Display

Phoenix Display International, Inc.

PRODUCT PREVIEW

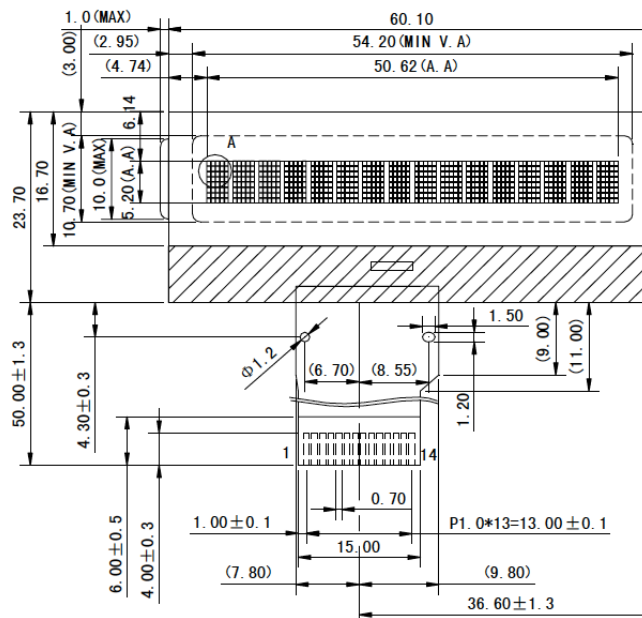
16 Character x 1 Line

SPECIFICATIONS

MODULE

Part Number	JYC-160122G
Format	16 Characters x 1 Line
Controller	ST7032
Overall Dimensions	60.1mm x 23.7mm x 2.85mm
Active Area	50.62mm x 5.2mm
Character Size	2.62mm x 5.2mm
Pixel Size	460um x 580um
Backlight System	No
Driver Attach	Chip on Glass (COG)
Display Type	TN, STN, or FSTN

1.0 DIMENSIONAL DRAWING



TN/STN

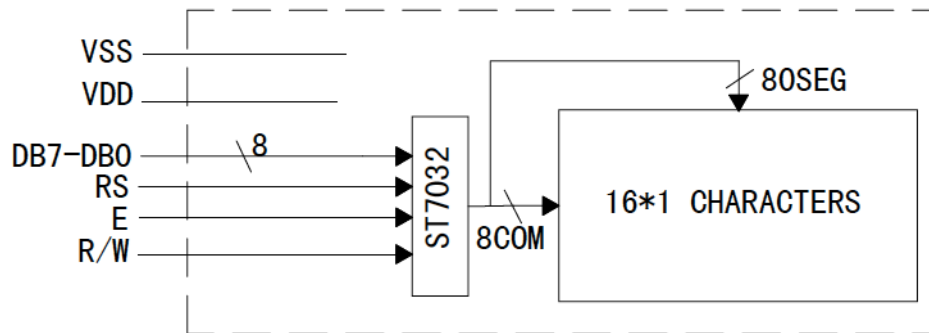
Character
Liquid Crystal Display

Phoenix Display International, Inc.

PRODUCT PREVIEW

16 Character x 1 Line

2.0 BLOCK DIAGRAM



5.0 PIN ASSIGNMENT

PIN No.	Symbol	PIN No.	Symbol
1	DB7	8	DB0
2	DB6	9	E
3	DB5	10	R/W
4	DB4	11	RS
5	DB3	12	V0
6	DB2	13	VDD
7	DB1	14	VSS

