

TN/STN

Character
Liquid Crystal Display

Phoenix Display International, Inc.

PRODUCT PREVIEW

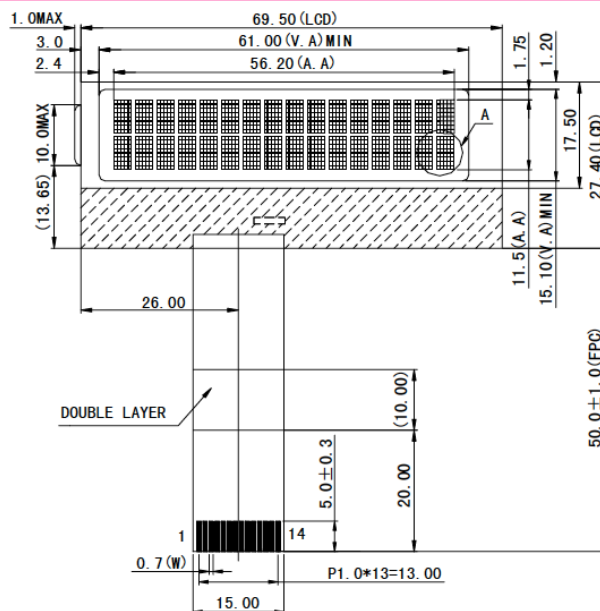
16 Character x 2 Line

SPECIFICATIONS

MODULE

Part Number	JYC-160245G
Format	16 Characters x 2 Line
Controller	ST7032
Overall Dimensions	69.5mm x 27.4mm x 2.8mm
Active Area	56.20mm x 11.5mm
Character Size	2.95mm x 5.55mm
Pixel Size	550um x 650um
Backlight System	No
Driver Attach	Chip on Glass (COG)
Display Type	TN, STN, or FSTN

1.0 DIMENSIONAL DRAWING



TN/STN

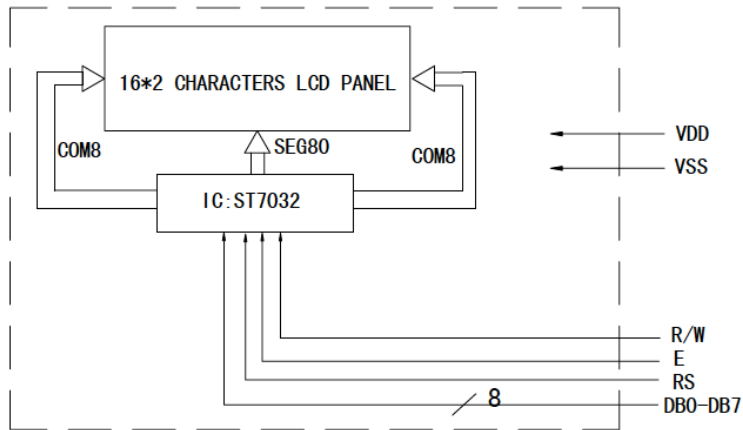
Character
Liquid Crystal Display

Phoenix Display International, Inc.

PRODUCT PREVIEW

16 Character x 2 Line

2.0 BLOCK DIAGRAM



5.0 PIN ASSIGNMENT

PIN No.	Symbol
1	VSS
2	VO
3	RS
4	R/W
5	E
6	VDD
7-14	DB0-DB7

