

TN/STN

Character
Liquid Crystal Display

Phoenix Display International, Inc.

PRODUCT PREVIEW

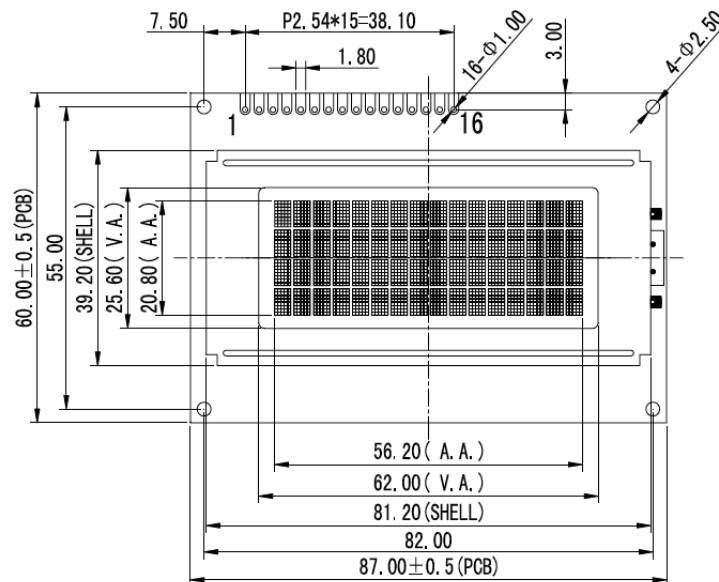
16 Character x 4 Line

SPECIFICATIONS

MODULE

Part Number	JYC-160402C
Format	16 Characters x 4 Line
Controller	SPLC780D
Overall Dimensions	87.0mm x 60.0mm x 14.5mm
Active Area	62.00mm x 20.80mm
Character Size	2.95mm x 4.75mm
Pixel Size	550um x 550um
Backlight System	LED
Driver Attach	Chip on Board (COB)
Display Type	TN, STN, or FSTN

1.0 DIMENSIONAL DRAWING



TN/STN

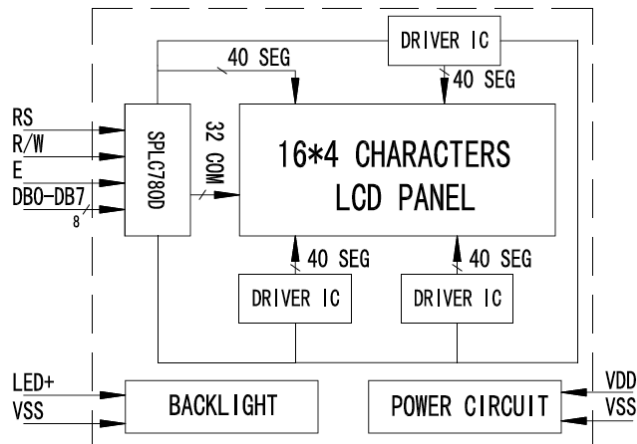
Character
Liquid Crystal Display

Phoenix Display International, Inc.

PRODUCT PREVIEW

16 Character x 4 Line

2.0 BLOCK DIAGRAM



5.0 PIN ASSIGNMENT

PIN No.	Symbol
1	VSS
2	VDD
3	V0
4	RS
5	R/W
6	E
7-14	DB0-DB7
15	A
16	K

