

TN/STN

Character
Liquid Crystal Display

Phoenix Display International, Inc.

PRODUCT PREVIEW

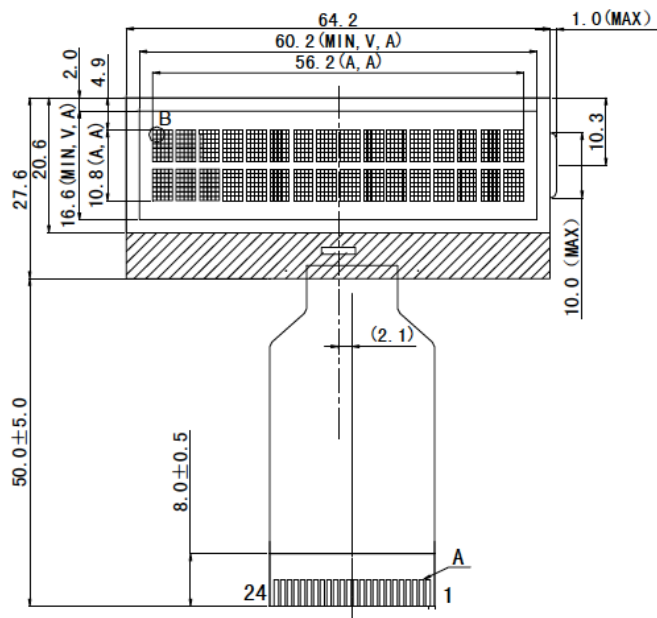
16 Character x 2 Line

SPECIFICATIONS

MODULE

Part Number	JYC-160271G
Format	16 Characters x 2 Line
Controller	ST7032
Overall Dimensions	64.2mm x 27.6mm x 2.0mm
Active Area	56.2mm x 10.8mm
Character Size	2.95mm x 4.85mm
Pixel Size	550um x 650um
Backlight System	No
Driver Attach	Chip on Glass (COG)
Display Type	TN, STN, or FSTN

1.0 DIMENSIONAL DRAWING



TN/STN

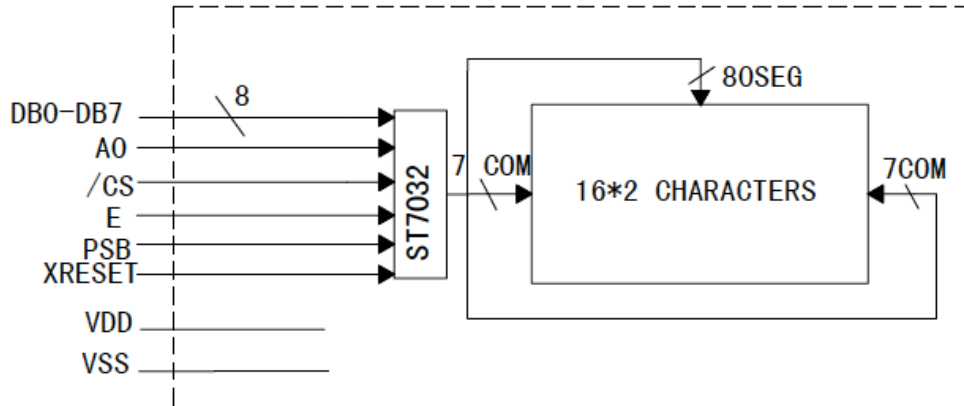
Character
Liquid Crystal Display

Phoenix Display International, Inc.

PRODUCT PREVIEW

16 Character x 2 Line

2.0 BLOCK DIAGRAM



5.0 PIN ASSIGNMENT

PIN No.	Symbol	PIN No.	Symbol
1	A0	17	V3
2	E	18	V4
3	/CS	19	VOUT
4-11	DB7-DB0	20	VSS
12	VDD	21	VDD
13	VSS	22	PSB
14	V0	23	NC
15	V1	24	XRESET
16	V2		

