

TN/STN

Character
Liquid Crystal Display

Phoenix Display International, Inc.

PRODUCT PREVIEW

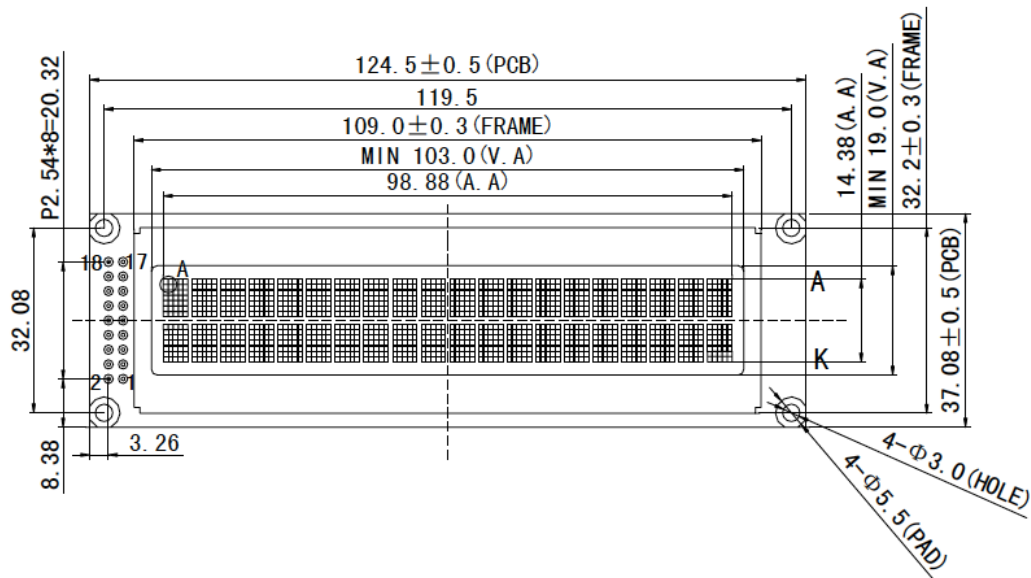
20 Character x 2 Line

SPECIFICATIONS

MODULE

Part Number	JYC-200215C
Format	20 Characters x 2 Line
Controller	ST7066U
Overall Dimensions	124.5mm x 37.08mm x 15.0mm
Active Area	98.88mm x 14.38mm
Character Size	4.26mm x 6.54mm
Pixel Size	820um x 900um
Backlight System	LED
Driver Attach	Chip on Board (COB)
Display Type	TN, STN, or FSTN

1.0 DIMENSIONAL DRAWING



TN/STN

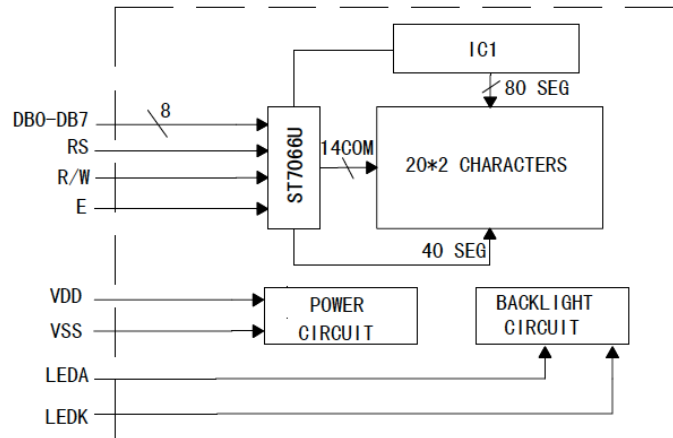
Character
Liquid Crystal Display

Phoenix Display International, Inc.

PRODUCT PREVIEW

20 Character x 2 Line

2.0 BLOCK DIAGRAM



5.0 PIN ASSIGNMENT

PIN No.	Symbol
1	VSS
2	VDD
3	V0
4	RS
5	R/W
6	E
7-14	DB0-DB7
15	LEDA
16	LEDK
17	NC
18	NC

