

TN/STN

Character
Liquid Crystal Display

Phoenix Display International, Inc.

PRODUCT PREVIEW

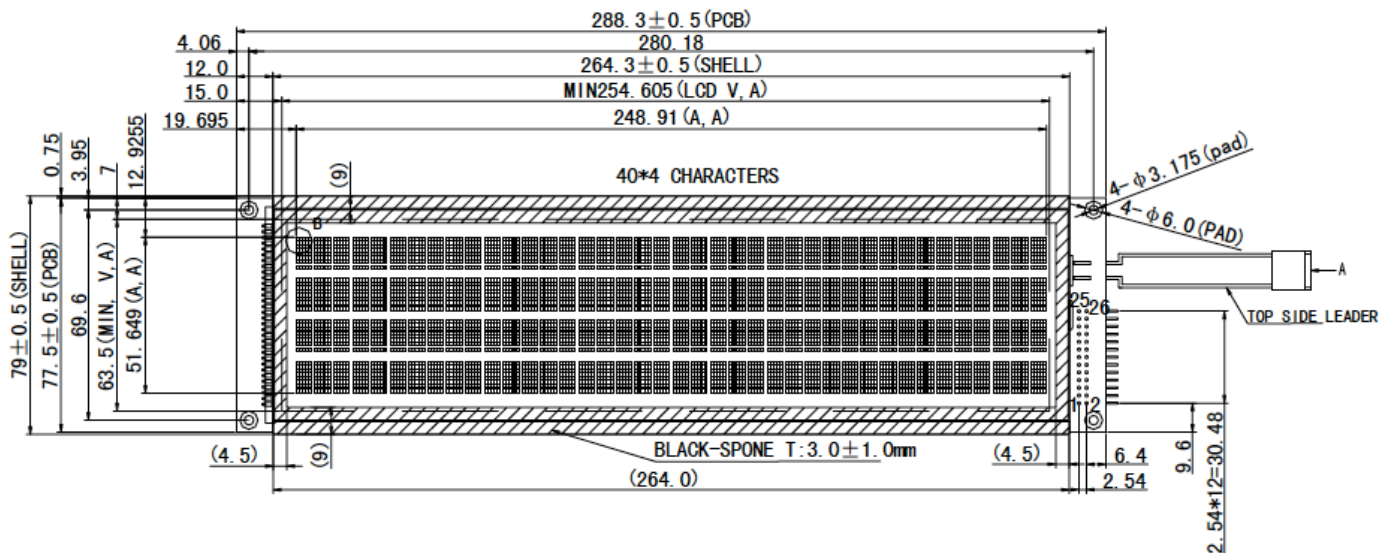
40 Character x 4 Line

SPECIFICATIONS

MODULE

| | |
|--------------------|---------------------------|
| Part Number | JYC-400407S |
| Format | 40 Characters x 4 Line |
| Controller 1 | ST7066U |
| Controller 2 | ST7066U |
| Overall Dimensions | 288.3mm x 79.0mm x 22.4mm |
| Active Area | 248.91mm x 51.649mm |
| Character Size | 5.16mm x 10.579mm |
| Pixel Size | 992um x 1194um |
| Backlight System | EL |
| Driver Attach | SMT |
| Display Type | TN, STN, or FSTN |

1.0 DIMENSIONAL DRAWING



Phoenix Display International reserves the right to change this document without prior notice and disclaims all warranties. It is the recipient's duty to confirm with PDI before proceeding with a design. This document is PDI confidential and should not be reproduced without PDI approval.



Phoenix Display International, Inc.
www.phoenixdisplay.com sales@phoenixdisplay.com
Tel: (630) 359-5700 or (480) 775-6315

TN/STN

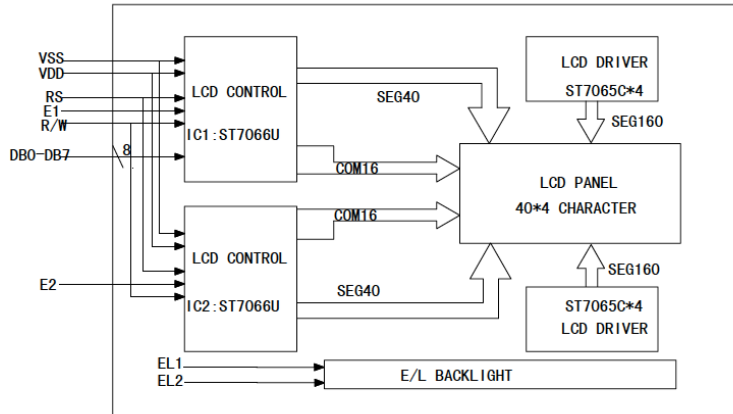
Character
Liquid Crystal Display

Phoenix Display International, Inc.

PRODUCT PREVIEW

40 Character x 4 Line

2.0 BLOCK DIAGRAM



5.0 PIN ASSIGNMENT

| PIN No. | Symbol | PIN No. | Symbol | PIN No. | Symbol |
|---------|--------|---------|--------|---------|--------|
| 1 | NC | 12 | VSS | 23 | DB6 |
| 2 | VBIAS | 13 | DB1 | 24 | VCC |
| 3 | E2 | 14 | VSS | 25 | DB7 |
| 4 | ADJ | 15 | DB2 | 26 | NC |
| 5 | R/W | 16 | VSS | | |
| 6 | KEY | 17 | DB3 | | |
| 7 | RS | 18 | VSS | | |
| 8 | VSS | 19 | DB4 | | |
| 9 | E1 | 20 | VSS | | |
| 10 | VSS | 21 | DB5 | | |
| 11 | DB0 | 22 | VCC | | |

