

Phoenix Display International, Inc.

PRODUCT PREVIEW

96 x 80 Monochrome

TN/STN

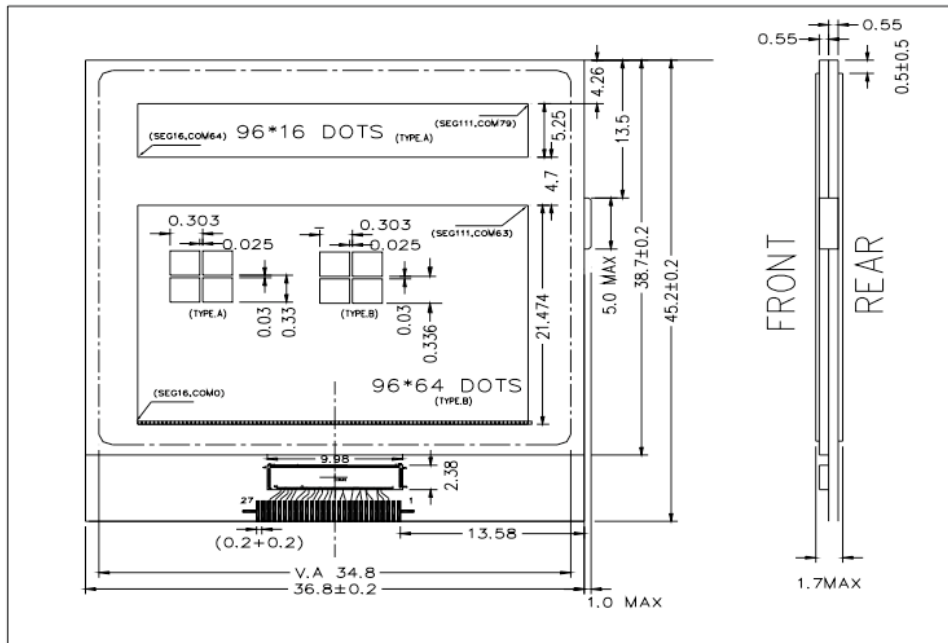
Graphics
Liquid Crystal Display

SPECIFICATIONS

MODULE

Part Number	G-968001G-VA
Format	96 Columns by 80 Rows
Controller	S6B0759
Overall Dimensions	36.8mm x 45.2mm x 1.7mm
Active Area	29.1mm x 31.4mm
Pixel Pitch	303um x 336um
Pixel Size	278um x 300um
Backlight System	None
Driver Attach	Chip on Glass (COG)
Glass Type	STN, FSTN
Display Type	R,TF,TM
Duty	1/80

1.0 DIMENSIONAL DRAWING



Phoenix Display International reserves the right to change this document without prior notice and disclaims all warranties. It is the recipient's duty to confirm with PDI before proceeding with a design. This document is PDI confidential and should not be reproduced without PDI approval.

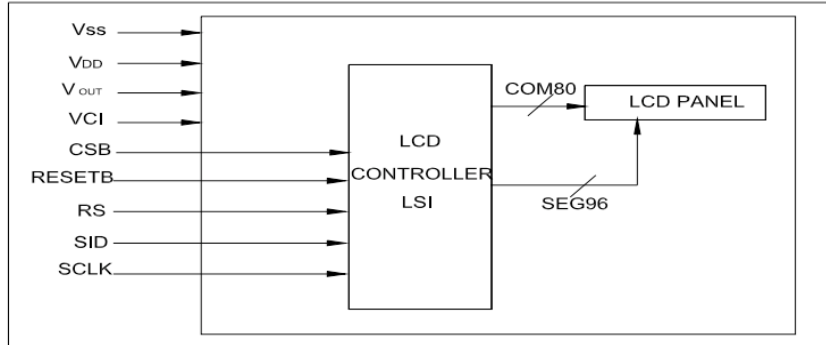


Phoenix Display International, Inc.
www.phoenixdisplay.com sales@phoenixdisplay.com
 Tel: (630) 359-5700 or (480) 775-6315

PRODUCT PREVIEW

96 x 80 Monochrome

2.0 BLOCK DIAGRAM



3.0 ELECTRICAL CHARACTERISTICS Ta=25 °C VDD=3.0V±0.25V

Item	Symbol	Test Condition	Standard Value			Unit
			Min.	Typ.	Max.	
Power Supply Voltage	VDD-VSS	25°C	2.75	3	3.25	V
LCD Operation Voltage	VOP		5	13	V	
LCM Current Consumption	IDD		0.1	0.15	mA	
Backlight Forward Voltage	Vf		-	-	V	

4.0 ABSOLUTE MAXIMUM RATINGS

Item	Symbol	Test Condition	Standard Value			Unit
			Min.	Max.	Unit	
Supply Voltage (Logic)	VDD-VSS	25°C	-0.3	7	V	
Supply Voltage (LCD)	VDD-V0		-0.3	17	V	
Input Voltage	VIN		-0.3	VDD+0.3	V	
Operating Temp.	TOPR		0	50	°C	
Storage Temp.	TSTG		-10	60	°C	

5.0 PIN ASSIGNMENT

PIN No.	Symbol	Description
1-2	NC	No connection
3	/CS	Chip select input pin
4	/RES	Reset the input pin
5	RS	Register select input pin
6	SID	Serial input data
7	SCLK	Serial input clock
8-9	VDD	Power supply(+)
10	VCI	Voltage converter input voltage pin
11-12	VSS	Power supply (GND0)
13	VOUT	Voltage converter input/output voltage pin
14	C5+	Capacitor 5 positive connection
15	C3+	Capacitor 3 positive connection
16	C1-	Capacitor 1 negative connection
17	C1+	Capacitor 1 positive connection
18	C2+	Capacitor 2 positive connection
19	C2-	Capacitor 2 negative connection
20	C4+	Capacitor 4 positive connection
21-25	V4~ V0	LCD drive supplies voltages
26-27	NC	No connection

Remark

- LCD option: TN,STN, FSTN .
- Customized module.

