

PRODUCT PREVIEW

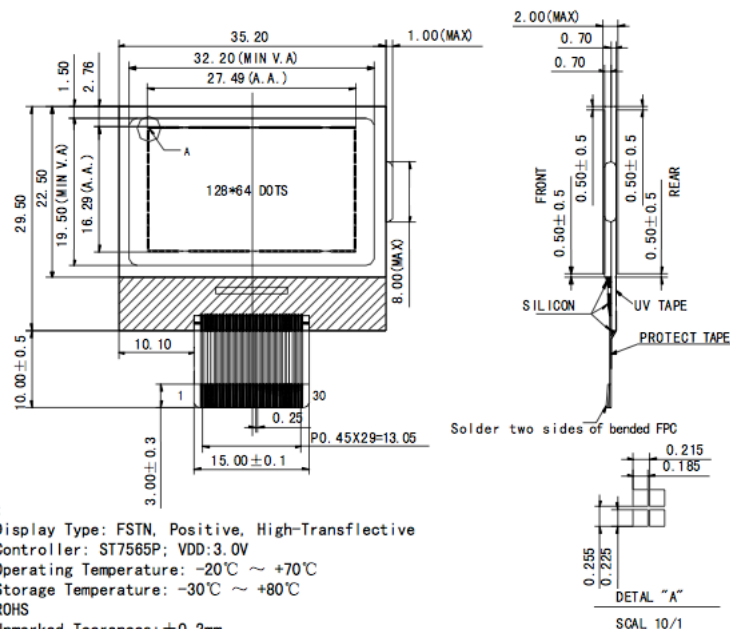
128x 64 Monochrome

SPECIFICATIONS

MODULE

Part Number	G-12864F6G-VA
Format	128 Columns by 64 Rows
Controller	N/A
Overall Dimensions	35.2mm x 29.5mm x 2.0mm
Active Area	32.2mm x 19.5mm
Pixel Pitch	215um x 255um
Pixel Size	185um x 225um
Backlight System	None
Driver Attach	N/A
Display Type	N/A
Duty	N/A
Bias	N/A

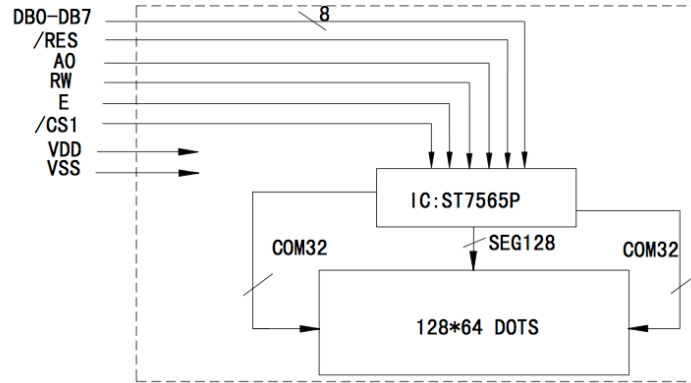
1.0 DIMENSIONAL DRAWING



PRODUCT PREVIEW

128 x 64 Monochrome

2.0 BLOCK DIAGRAM



5.0 PIN ASSIGNMENT

PIN No.	Symbol
1	IRS
2	P/S
3	C86
4	VR
5	VO
6	V1
7	V2
8	V3
9	V4
10	C2-
11	C2+
12	C1+
13	C1-

PIN No.	Symbol
14	C3+
15	VOUT
16	VSS
17	VDD
18-25	DB7-DB0
26	E
27	RN
28	A0
29	/RES
30	/CS1

