

PRODUCT PREVIEW

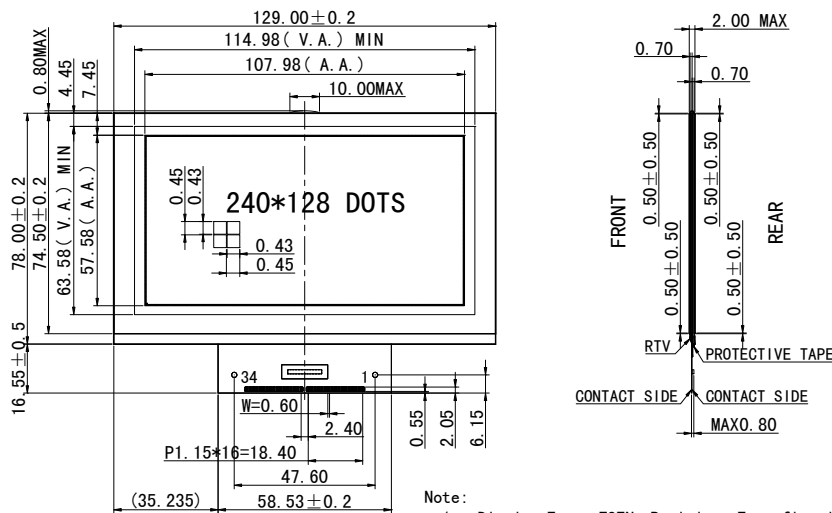
240 x 128 Monochrome

SPECIFICATIONS

MODULE

Part Number	G-24012815F-VA
Format	240 Columns by 128 Rows
Controller	N/A
Overall Dimensions	129.0mm x 78.0mm x 2.0mm
Active Area	107.98mm x 57.58mm
Pixel Pitch	450um x 450um
Pixel Size	430um x 430um
Backlight System	None
Driver Attach	N/A
Display Type	R,TF,TM
Duty	N/A
Bias	N/A

1.0 DIMENSIONAL DRAWING



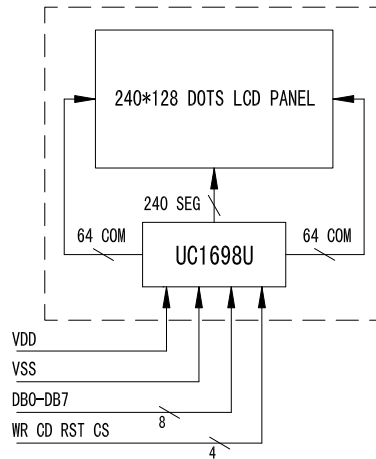
Phoenix Display International reserves the right to change document without prior notice and disclaims all warranties. It is the recipient's duty to confirm with PDI before proceeding with a design. This document is PDI confidential and should not be reproduced without PDI approval.



PRODUCT PREVIEW

240 x 128 Monochrome

2.0 BLOCK DIAGRAM



5.0 PIN ASSIGNMENT

PIN No.	Symbol
1-5	NC
6	VB1-
7	VB1+
8	VBIAS
9	TST4
10	VBO-
11	VBO+
12	VLCD
13	VSS
14	VDD2, 3
15	VDD
16-17	NC

PIN No.	Symbol
18-25	DB7-DB0
26	WR1
27	WR0
28	CD
29	RST
30	NC
31	CS
32	BMO
33	BM1
34	NC

