

PRODUCT PREVIEW

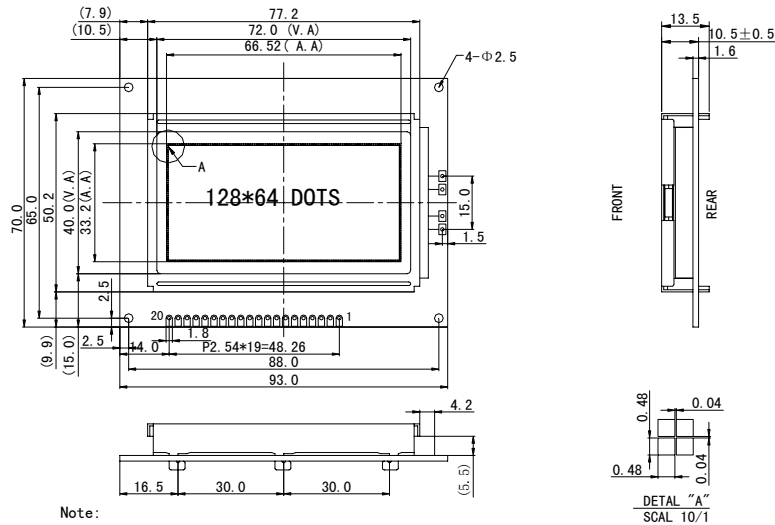
128x 64 Monochrome

SPECIFICATIONS

MODULE

Part Number	G-12864E1C-VA
Format	128 Columns by 64 Rows
Controller	N/A
Overall Dimensions	93.0mm x 70.0mm x 13.5mm
Active Area	66.5mm x 33.2mm
Pixel Pitch	520um x 520um
Pixel Size	480um x 480um
Backlight System	LED
Driver Attach	N/A
Display Type	R,TF,TM
Duty	N/A
Bias	N/A

1.0 DIMENSIONAL DRAWING



Note:

1. Display Type: FSTN, Positive, High-Transflective
2. Backlight: LED, white
3. Controller: S6B0108; VDD:5.0V
4. Operating Temperature: -20°C ~ +70°C
5. Storage Temperature: -30°C ~ +80°C
6. ROHS
7. Unmarked Tolerances: ±0.2mm

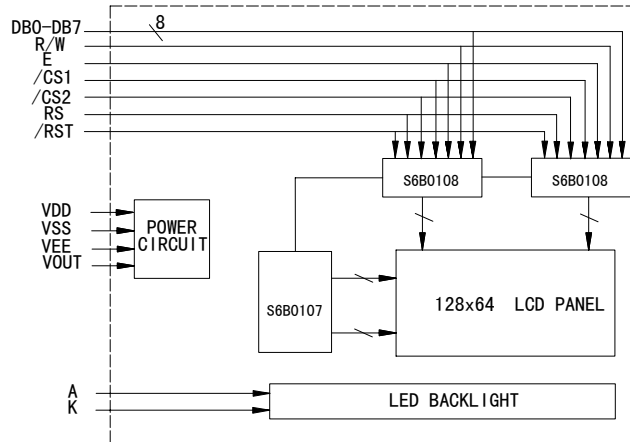
Remark: Both display type and backlight color of the LCM can be customized per request.



PRODUCT PREVIEW

128 x 64 Monochrome

2.0 BLOCK DIAGRAM



5.0 PIN ASSIGNMENT

PIN No.	Symbol
1	VSS
2	VDD
3	VEE
4	RS
5	R/W
6	E
7	DB0
8	DB1
9	DB2
10	DB3
11	DB4
12	DB5
13	DB6
14	DB7

PIN No.	Symbol
15	/CS1
16	/CS2
17	/RST
18	VOUT
19	A
20	K

