

PRODUCT PREVIEW

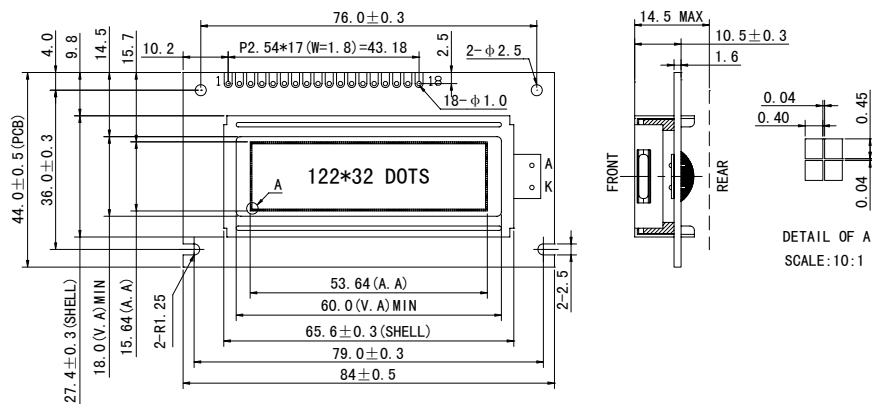
122x 32 Monochrome

SPECIFICATIONS

MODULE

Part Number	G-1223232C-VA
Format	122 Columns by 32 Rows
Controller	N/A
Overall Dimensions	84.0mm x 44.0mm x 13.8mm
Active Area	53.64mm x 15.64mm
Pixel Pitch	440um x 490um
Pixel Size	400um x 450um
Backlight System	LED
Driver Attach	N/A
Display Type	R,TF,TM
Duty	N/A
Bias	N/A

1.0 DIMENSIONAL DRAWING



Note:

1. Display Type: STN, Yellow-Green, Positive, Transflective
2. Backlight: LED, Yellow-Green
3. Controller: ST7920; VDD: 5.0V
4. Operating Temperature: -25°C ~ +70°C
5. Storage Temperature: -35°C ~ +80°C
6. ROHS
7. Unmarked tolerance: ±0.2mm

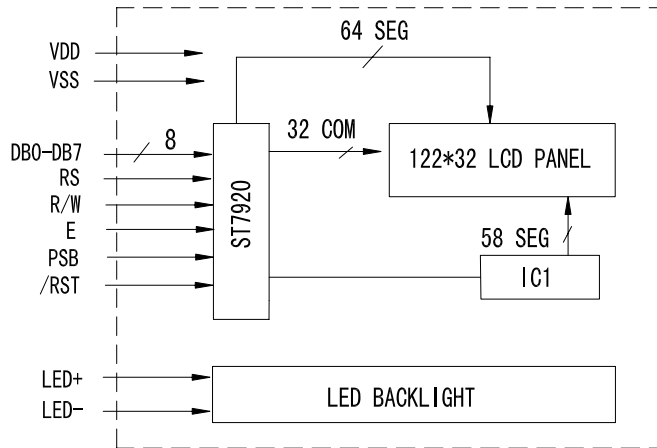
Remark: Both display type and backlight color of the LCM can be customized per request.



PRODUCT PREVIEW

122 x 32 Monochrome

2.0 BLOCK DIAGRAM



5.0 PIN ASSIGNMENT

PIN No.	Symbol
1	VSS
2	VDD
3	NC
4	RS
5	R/W
6	E
7-14	DB0-DB7
15	PSB
16	/RST
17	LED+
18	LED-

