

# PRODUCT PREVIEW

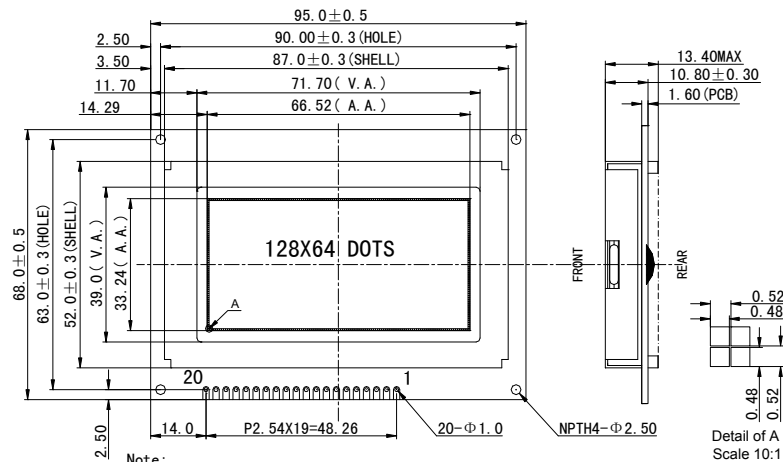
## 128x 64 Monochrome

### SPECIFICATIONS

#### MODULE

|                    |                          |
|--------------------|--------------------------|
| Part Number        | G-12864F3C-VA            |
| Format             | 128 Columns by 64 Rows   |
| Controller         | N/A                      |
| Overall Dimensions | 95.0mm x 68.0mm x 13.4mm |
| Active Area        | 66.5mm x 33.2mm          |
| Pixel Pitch        | 520um x 520um            |
| Pixel Size         | 480um x 480um            |
| Backlight System   | LED                      |
| Driver Attach      | N/A                      |
| Display Type       | R,TF,TM                  |
| Duty               | N/A                      |
| Bias               | N/A                      |

#### 1.0 DIMENSIONAL DRAWING



Note:

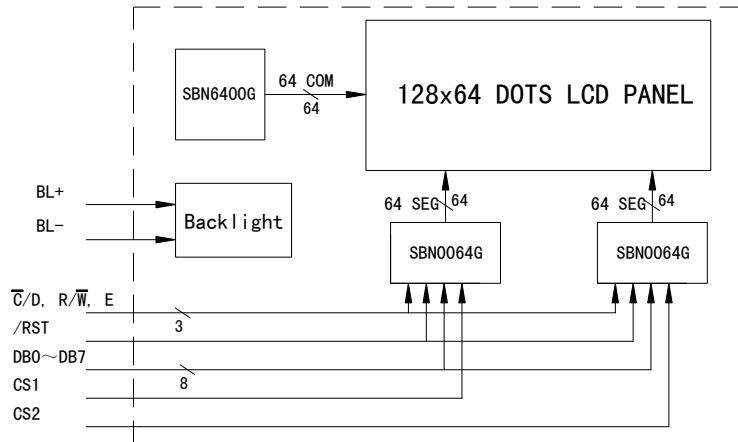
1. Display Type: STN, Yellow-Green, Positive, Transflective
  2. Backlight: LED, Yellow-Green
  3. Controller: SBN0064G; VDD: 5.0V
  4. Operating Temperature: -20°C ~ +70°C
  5. Storage Temperature: -30°C ~ +80°C
  6. ROHS
  7. Unmarked tolerances: ±0.2mm
- Remark: Both display type and backlight color of the LCM can be customized per request.



# PRODUCT PREVIEW

## 128 x 64 Monochrome

### 2.0 BLOCK DIAGRAM



### 5.0 PIN ASSIGNMENT

| PIN No. | Symbol  |
|---------|---------|
| 1       | VSS     |
| 2       | VDD     |
| 3       | V0      |
| 4       | C/D     |
| 5       | R/W     |
| 6       | E       |
| 7-14    | DB0-DB7 |
| 15      | CS1     |
| 16      | CS2     |
| 17      | RSTB    |
| 18      | NC      |
| 19      | BL+     |
| 20      | BL-     |

