

PRODUCT PREVIEW

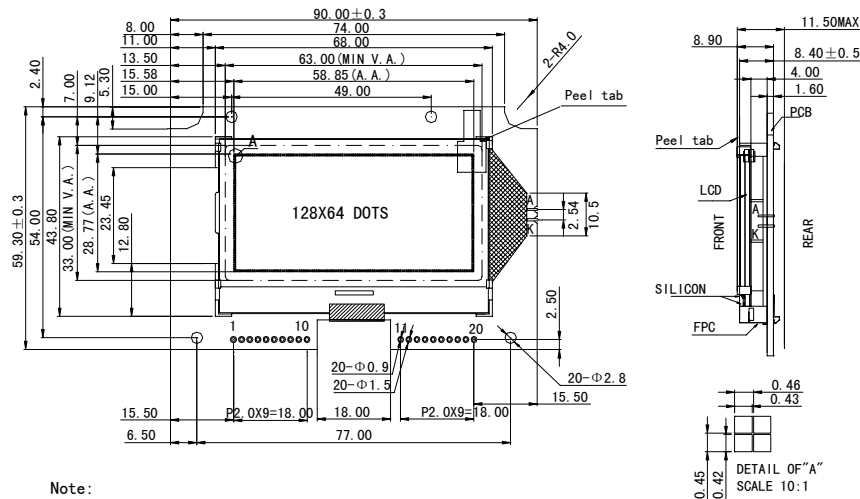
128x 64 Monochrome

SPECIFICATIONS

MODULE

Part Number	G-12864F8G-VA
Format	128 Columns by 64 Rows
Controller	N/A
Overall Dimensions	90.0mm x 59.3mm x 11.5mm
Active Area	58.9mm x 28.8mm
Pixel Pitch	460um x 450um
Pixel Size	430um x 420um
Backlight System	LED
Driver Attach	N/A
Display Type	R,TF,TM
Duty	N/A
Bias	N/A

1.0 DIMENSIONAL DRAWING



Note:

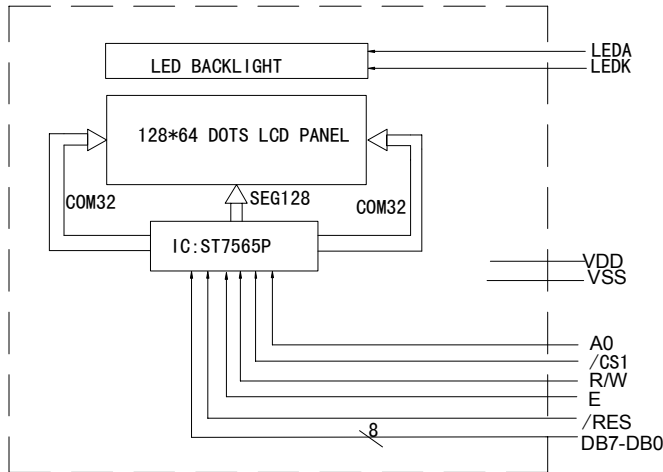
1. Display Type: STN-Gray, Positive, Transflective, UV-filter
2. Backlight: LED, Green
3. Controller: ST7565P; VDD: 2.84V
4. Operating Temperature: -20°C ~ +70°C
5. Storage Temperature: -40°C ~ +80°C
6. ROHS
7. Unmarked tolerance: ±0.2
8. Remark: Both display type and backlight color of the LCM can be customized per request.



PRODUCT PREVIEW

128 x 64 Monochrome

2.0 BLOCK DIAGRAM



5.0 PIN ASSIGNMENT

PIN No.	Symbol
1	LEDA
2	LEDK
3	VSS
4	VDD
5	RS
6	R/W
7	E
8	/CS
9	/RES
10	DB0
11	VSS
12	DB1
13	DB2
14	DB3

PIN No.	Symbol
15	VSS
16	DB4
17	DB5
18	DB6
19	DB7
20	VSS

