

# PRODUCT PREVIEW

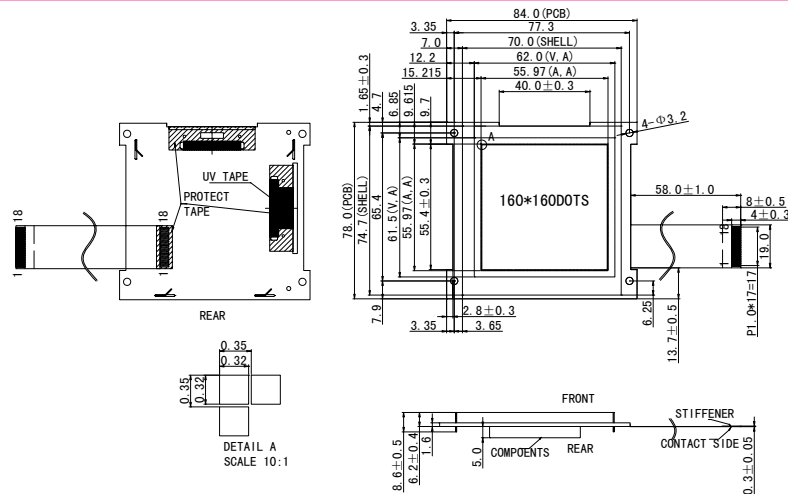
## 160x 160 Monochrome

### SPECIFICATIONS

#### MODULE

Part Number	G-16016010T-VA
Format	160 Columns by 160 Rows
Controller	N/A
Overall Dimensions	84.0mm x 78.0mm x 8.6mm
Active Area	55.97mm x 55.97mm
Pixel Pitch	350um x 350um
Pixel Size	320um x 320um
Backlight System	LED
Driver Attach	N/A
Display Type	R,TF,TM
Duty	N/A
Bias	N/A

#### 1.0 DIMENSIONAL DRAWING



Note:

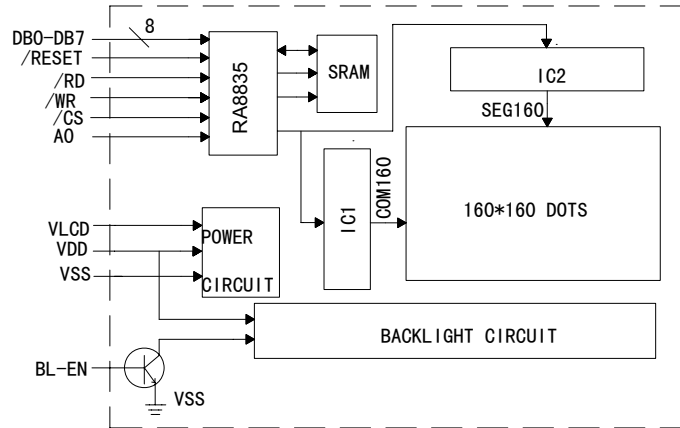
1. Display Type: FSTN, Positive, Transflective
2. Backlight: LED, White
3. Controller: RA8835; VDD:3.3V
4. Operating Temperature: -25°C ~ +75°C
5. Storage Temperature: -30°C ~ +80°C
6. ROHS
7. Unmarked tolerance: ±0.2
8. Remark: Both display type and backlight color of the LCM can be customized per request.



# PRODUCT PREVIEW

## 160 x 160 Monochrome

### 2.0 BLOCK DIAGRAM



### 5.0 PIN ASSIGNMENT

PIN No.	Symbol
1	/RESET
2	/RD
3	/WR
4	/CS
5	A0
6-13	DB0-DB7
14	VDD
15	VSS
16	VLCD
17	VADJ
18	BL-EN

