

PRODUCT PREVIEW

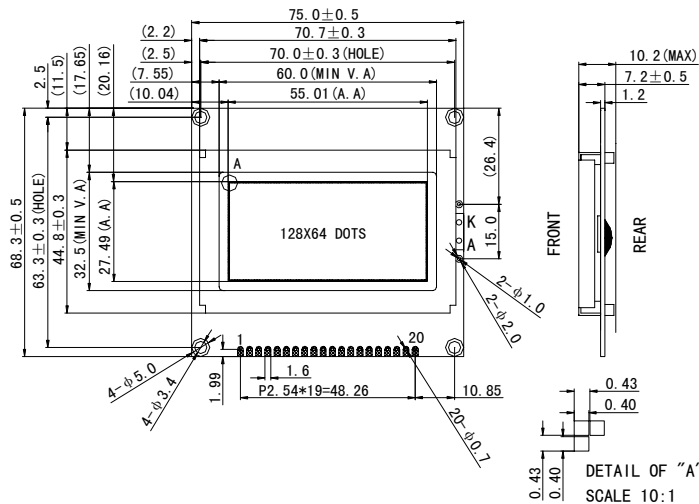
128x 64 Monochrome

SPECIFICATIONS

MODULE

Part Number	G-12864N3C-VA
Format	128 Columns by 64 Rows
Controller	N/A
Overall Dimensions	75.0mm x 68.3mm x 10.2mm
Active Area	55.0mm x 27.5mm
Pixel Pitch	430um x 430um
Pixel Size	400um x 400um
Backlight System	LED
Driver Attach	N/A
Display Type	R,TF,TM
Duty	N/A
Bias	N/A

1.0 DIMENSIONAL DRAWING



Note:

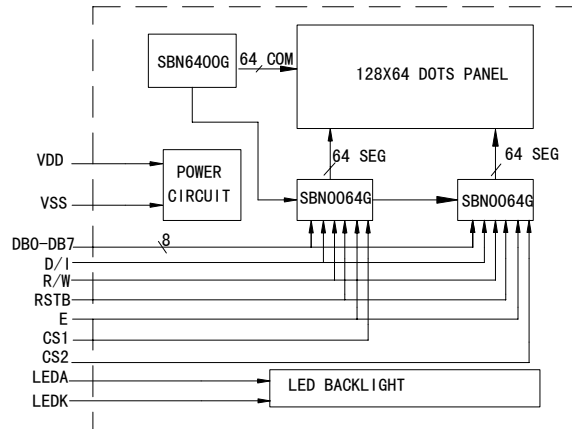
1. Display Type: STN, Yellow-Green, Positive, High-Transflective
2. Backlight: LED, Yellow-Green
3. Controller: SBN0064G, SBN6400G; VDD:5V
4. Operating Temperature: -25°C ~ +80°C
5. Storage Temperature: -30°C ~ +85°C
6. ROHS
7. Unmarked tolerance: ±0.2
8. Remark: Both display type and backlight color of the LCM can be customized per request.



PRODUCT PREVIEW

128 x 64 Monochrome

2.0 BLOCK DIAGRAM



5.0 PIN ASSIGNMENT

PIN No.	Symbol
1	VSS
2	VDD
3	NC
4	D/I
5	R/W
6	E
7-14	DB0-DB7
15	CS1
16	CS2
17	/RSTB
18	VEE
19	LEDA
20	LEDK

