

# PRODUCT PREVIEW

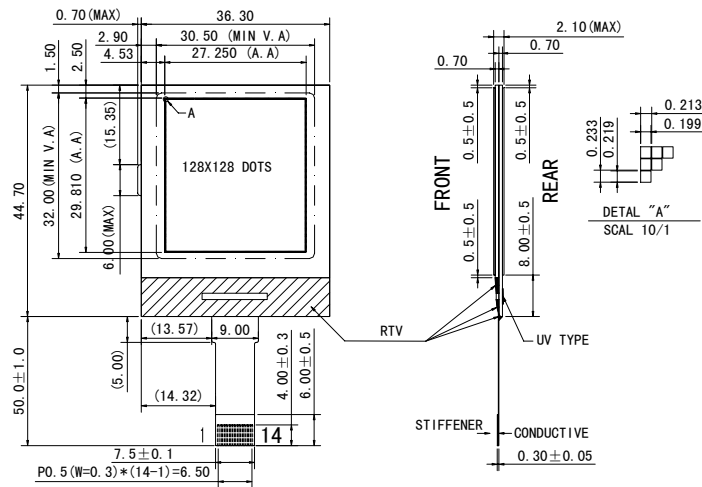
## 128x 128 Monochrome

### SPECIFICATIONS

**MODULE**

Part Number	G-12812823G-VA
Format	128 Columns by 128 Rows
Controller	N/A
Overall Dimensions	36.3mm x 44.7mm x 2.1mm
Active Area	27.25mm x 29.81mm
Pixel Pitch	213um x 233um
Pixel Size	199um x 219um
Backlight System	None
Driver Attach	N/A
Display Type	R,TF,TM
Duty	N/A
Bias	N/A

**1.0 DIMENSIONAL DRAWING**



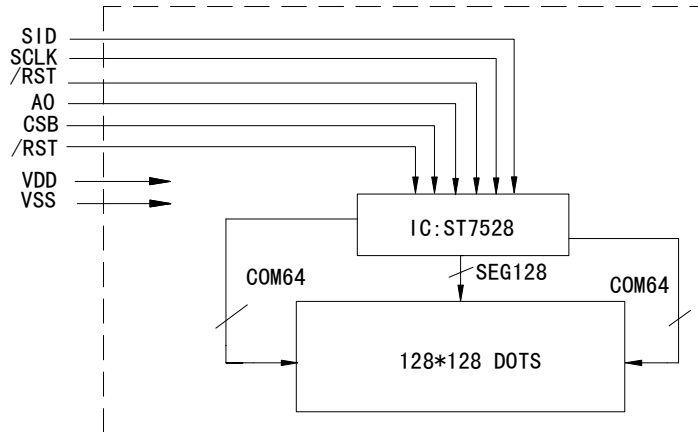
Note:  
 1. Display Type: FSTN, Negative, Transmissive  
 2. Controller: ST7528; VDD:3.3V  
 3. Operating Temperature: -20°C ~ +70°C  
 4. Storage Temperature: -30°C ~ +80°C  
 5. ROHS  
 6. Unmarked Tolerances: ±0.2mm  
 Remark: Display type of the LCM can be customized per request.



# PRODUCT PREVIEW

## 128 x 128 Monochrome

### 2.0 BLOCK DIAGRAM



### 5.0 PIN ASSIGNMENT

PIN No.	Symbol
1	NC
2	V0
3	V1
4	V2
5	V3
6	V4
7	VOUT
8	VSS
9	VDD
10	SID
11	SCLK
12	A0
13	/RST
14	CSB

