

PRODUCT PREVIEW

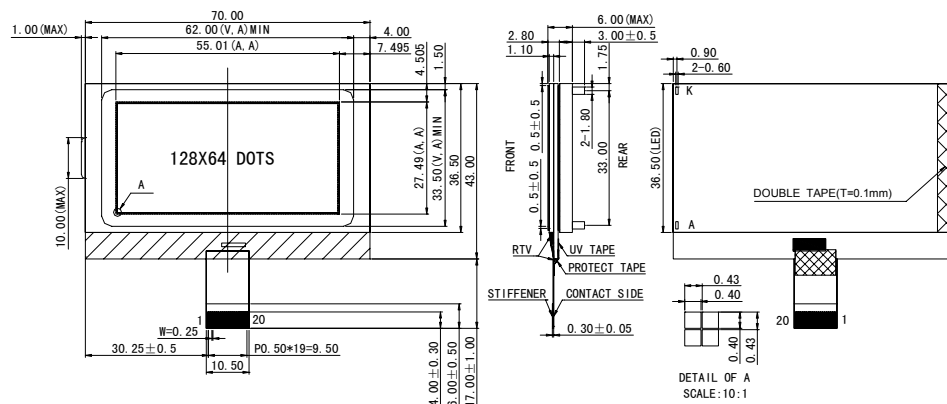
160x 128 Monochrome

SPECIFICATIONS

MODULE

Part Number	G-12864T5G-VA
Format	160 Columns by 128 Rows
Controller	N/A
Overall Dimensions	70.0mm x 43.0mm x 6.0mm
Active Area	55.01mm x 27.5mm
Pixel Pitch	430um x 430um
Pixel Size	400um x 400um
Backlight System	LED
Driver Attach	N/A
Display Type	R,TF,TM
Duty	N/A
Bias	N/A

1.0 DIMENSIONAL DRAWING



Note:

1. Display Type: STN-GRAY, Positive, Transmissive
2. Backlight: LED, White
3. Controller: NT7538; VDD:3.0V
4. Operating Temperature: -20°C ~ +70°C
5. Storage Temperature: -30°C ~ +80°C
6. ROHS
7. Unmarked tolerance: ±0.2mm

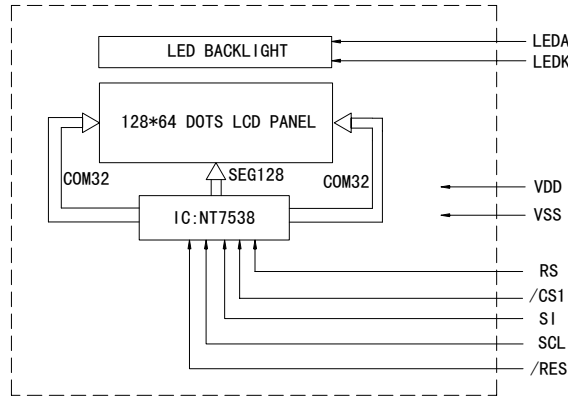
Remark: Both display type and backlight color of the LCM can be customized per request.



PRODUCT PREVIEW

160 x 128 Monochrome

2.0 BLOCK DIAGRAM



5.0 PIN ASSIGNMENT

PIN No.	Symbol
1	NC
2-6	V0-V4
7	C2N
8	C2P
9	C1P
10	C1N
11	C3P
12	VOUT
13	VSS
14	VDD
15	SI
16	SCL
17	RS
18	/RES
19	/CS1
20	NC

