

PRODUCT PREVIEW

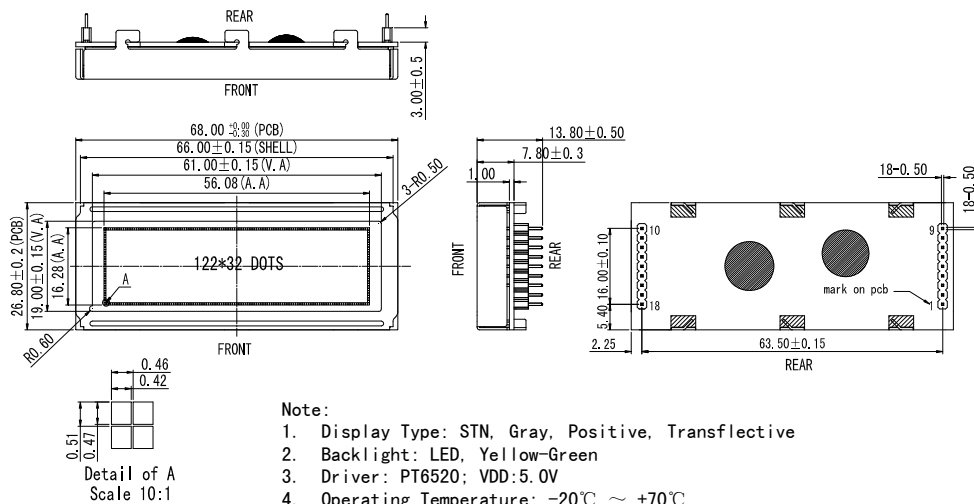
122x 32 Monochrome

SPECIFICATIONS

MODULE

Part Number	G-1223238C-VA
Format	122 Columns by 32 Rows
Controller	N/A
Overall Dimensions	68.0mm x 26.8mm x 13.8mm
Active Area	55.08mm x 16.28mm
Pixel Pitch	460um x 510um
Pixel Size	420um x 470um
Backlight System	LED
Driver Attach	N/A
Display Type	R,TF,TM
Duty	N/A
Bias	N/A

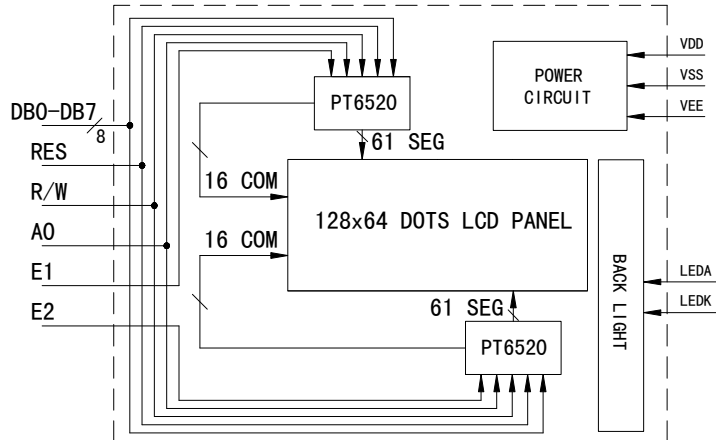
1.0 DIMENSIONAL DRAWING



PRODUCT PREVIEW

122 x 32 Monochrome

2.0 BLOCK DIAGRAM



5.0 PIN ASSIGNMENT

PIN No.	Symbol
1	VSS
2	VDD
3	VEE
4	A0
5	R/W
6	E1
7-14	DB0-DB7
15	E2
16	RES
17	LEDA
18	LEDK

